

Add:Unit 1,no.187,Xiayang road,Hetang Town Pengjiang
District,Jiangmen City,Guangdong ,Province , China.

✉ E-mail: 1146156552@qq.com

☎ Mobile: +86-18680577977

☑ WeChat/Whats app: +86-18680577977

NUWEN CO.,LTD

STAINLESS STEEL
 HANDLE SERIES



Straight lines will never fade in the world of taste. The perfect combination of bright colors makes the whole space more delicate and unified.

笔直线条永远不会在品味的世界里淡去，鲜明色系完美搭配，让整个空间更显精致风格更统一。



KSM-A001

KSM-A002

KSM-A003

KSM-A004

KSM-A005



KSM-A006

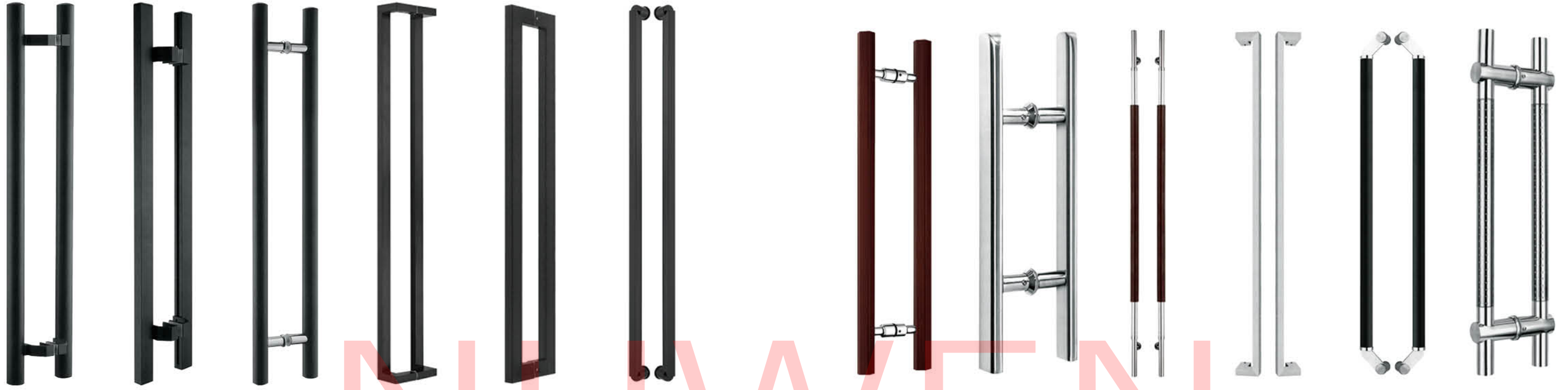
KSM-A007

KSM-A008

KSM-A009

KSM-A0010

KSM-A0011



KSM-A012 KSM-A013 KSM-A014 KSM-A015 KSM-A016 KSM-A017 KSM-A023 KSM-A024 KSM-A025 KSM-A026 KSM-A027 KSM-A028



KSM-A018 KSM-A019 KSM-A020 KSM-A021 KSM-A022 KSM-A029 KSM-A030 KSM-A031 KSM-A032 KSM-A033 KSM-A034



KSM-A035



KSM-A036



KSM-A037



KSM-A038



KSM-A039



KSM-A045



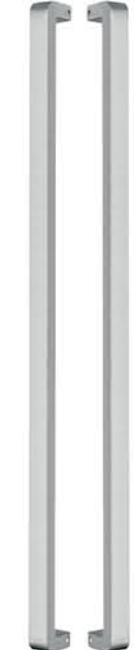
KSM-A046



KSM-A047



KSM-A048



KSM-A049



KSM-A040



KSM-A041



KSM-A042



KSM-A043



KSM-A044



KSM-A050



KSM-A051



KSM-A052



KSM-A053



KSM-A054



KSM-A055



KSM-A056



KSM-A057



KSM-A058



KSM-A059



KSM-A064



KSM-A065



KSM-A066



KSM-A067



KSM-A060



KSM-A061



KSM-A062



KSM-A063



KSM-A068



KSM-A069



KSM-A070



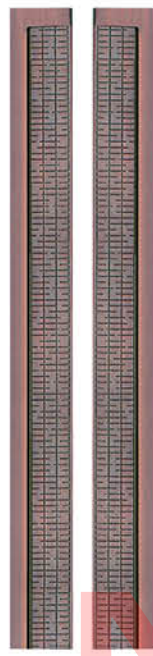
KSM-A071



KSM-A072



KSM-A073



KSM-A074



KSM-A075



KSM-A076



KSM-A083



KSM-A084



KSM-A085



KSM-A086



KSM-A087



KSM-A088



KSM-A077



KSM-A078



KSM-A079



KSM-A080



KSM-A081



KSM-A082



KSM-A089



KSM-A090



KSM-A091



KSM-A092



KSM-A093



KSM-A094



KSM-A095



KSM-A096



KSM-A097



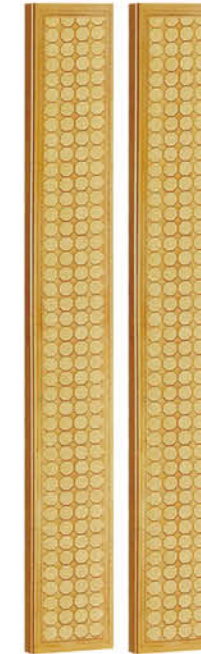
KSM-A098



KSM-A103



KSM-A104



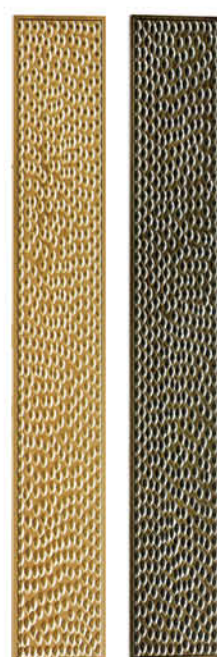
KSM-A105



KSM-A106



KSM-A099



KSM-A100



KSM-A101



KSM-A102



KSM-A107



KSM-A108



KSM-A109



KSM-A110



KSM-A111

A 主要材质: 优质不锈钢
Main material: High quality stainless steel

B 表面处理: 亮光 / 砂光 (颜色可定制)
Surface treatment: Mirror / Satin

C 尺寸: A:80/100mmxB:300mm
Size: A:80/100mmxB:300mm



KSM-A112



KSM-A113



KSM-A114



KSM-A115



KSM-A116



KSM-A117

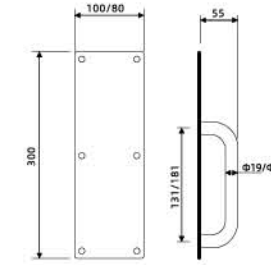


KSM-A118

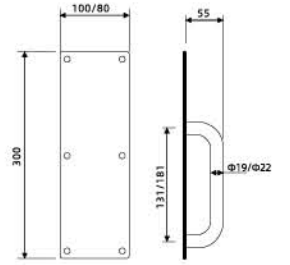


KSM-A119

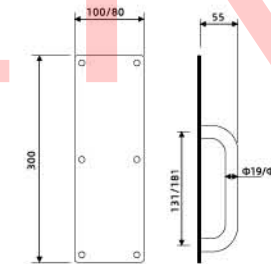
KSM-B001 指示牌 Sign Series



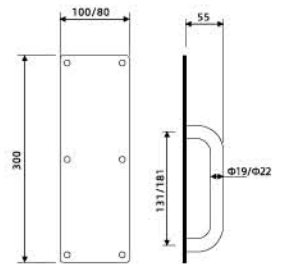
KSM-B002 指示牌 Sign Series



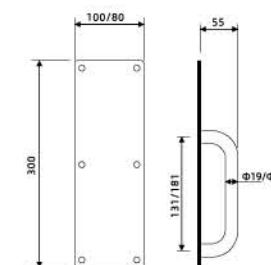
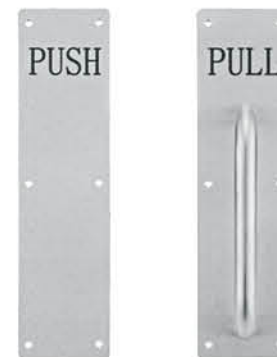
KSM-B003 指示牌 Sign Series



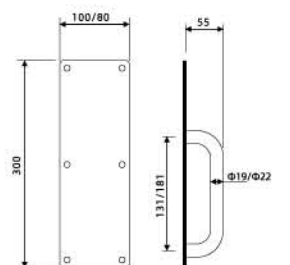
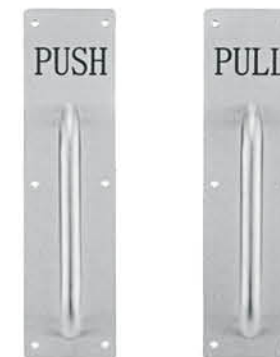
KSM-B004 指示牌 Sign Series



KSM-B005 指示牌 Sign Series



KSM-B006 指示牌 Sign Series



KSM-B007 指示牌 Sign Series



尺寸 Size: 170mmx170mm

KSM-B008 指示牌 Sign Series

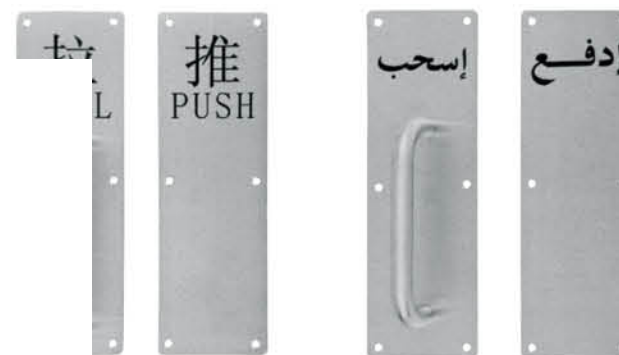


尺寸 Size: 170mmx170mm

KSM-B009 指示牌 Sign Series

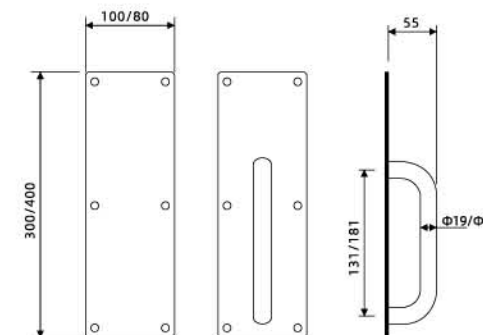


尺寸 Size: 170mmx170mm



KSM-B014

KSM-B015



KSM-B010 指示牌 Sign Series

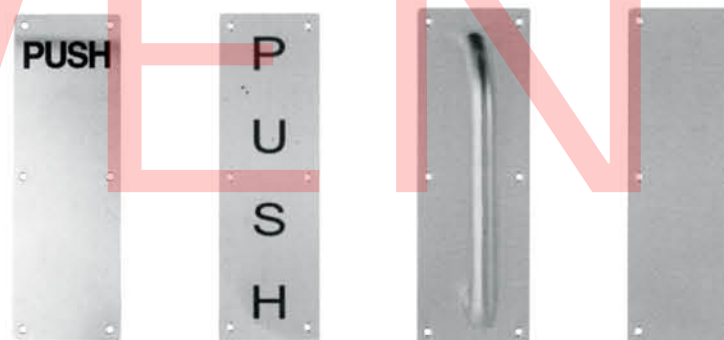


尺寸 Size: 80mmx300mm / 100mmx300mm

KSM-B011 指示牌 Sign Series



尺寸 Size: 80mmx300mm / 100mmx300mm



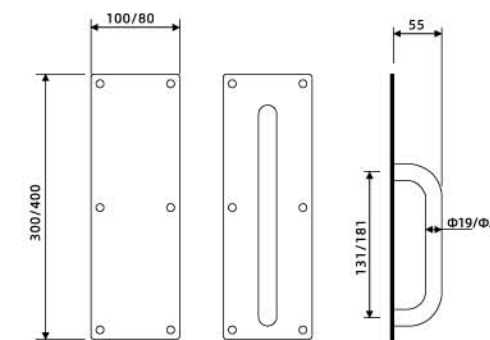
KSM-B016

KSM-B017

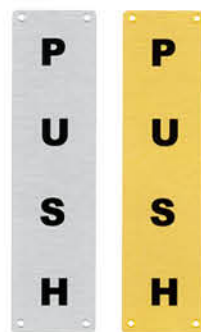
KSM-B018

KSM-B019

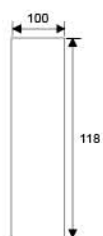
厚度 (Thickness) : 1.0mm、1.2mm、1.5mm、1.8mm、2.0mm
把手 (Plate) : 19x150L、19x200L、22x200L、22x250L



KSM-B012 指示牌 Sign Series



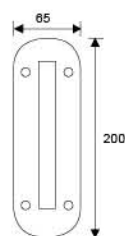
A B



KSM-B013 指示牌 Sign Series



A B



尺寸 Size: 80mmx300mm / 100mmx300mm

尺寸 Size: 80mmx300mm / 100mmx300mm



KSM-B020

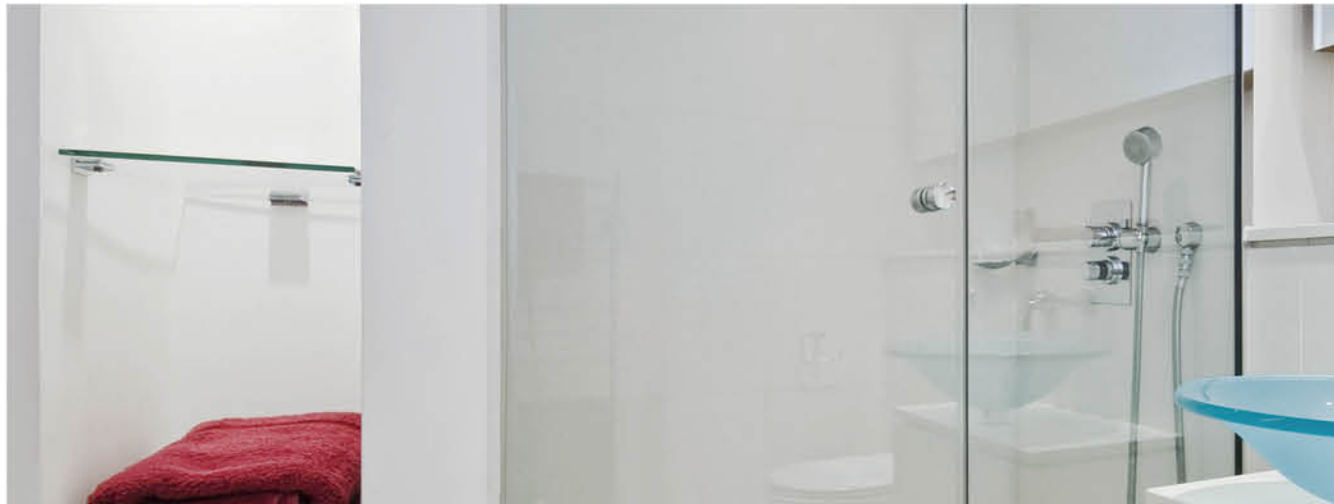
KSM-B021



A 主要材质: 不锈钢、锌合金、铜
Main material: stainless steel, zinc alloy, copper

B 表面处理: 拉丝、镜光、铬、拉丝镍
Surface treatment: brushed, mirrored, chrome, brushed nickel

C 尺寸可选: 10x30、25x25
Size optional: 10x30, 25x25



KSM-C001



KSM-C002



KSM-C003



KSM-C004



KSM-C005



KSM-C006



KSM-C007



KSM-C008



KSM-C009



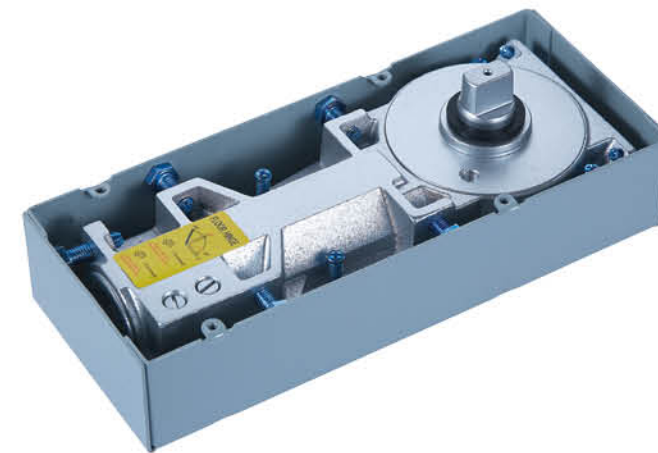
KSM-C010



KSM-C011



KSM-C012



KSM-45

技术参数 | Technical data

Export Standard Floor Spring
出口标准型地弹簧

净重 Weight : 4.2KG

最大开启角度 Max Angle : 135°

定位 Hole-open : 不定位, 90°, 135°

速度调节 Speed Adjusting

Speed1 速 : 90° ~ 20°

Speed2 速 : 20° ~ 0°

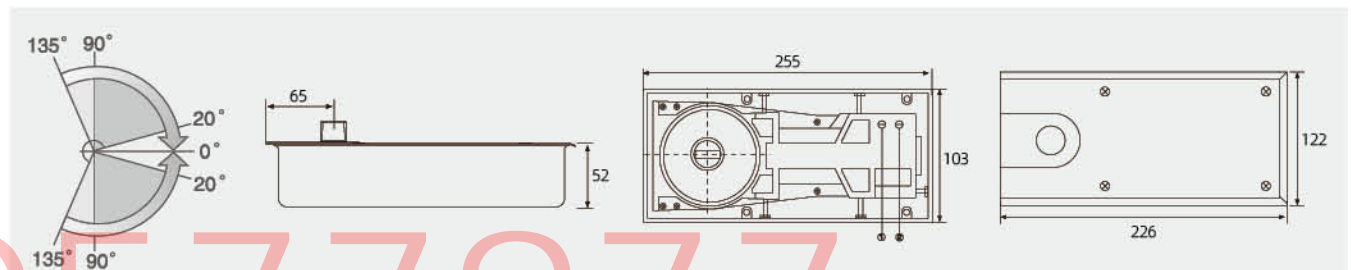
建议最大门宽 Door Width : 1000mm

建议最大门重 Door Weight : 110kg

使用寿命 Test Time : 500,000 次以上

适用温度范围 Temperature : -30° ~ 45°

铁壳尺寸 (长 / 宽 / 高) Size : 255x103x52mm





KSM-84A

技术参数 Technical data

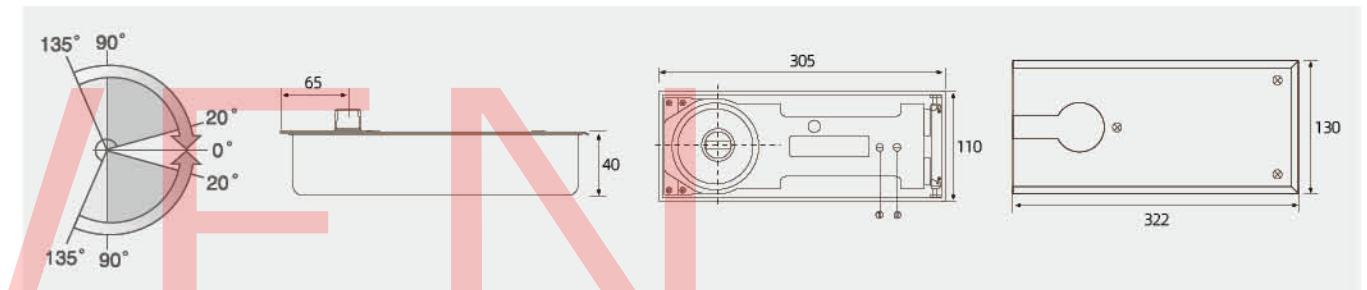
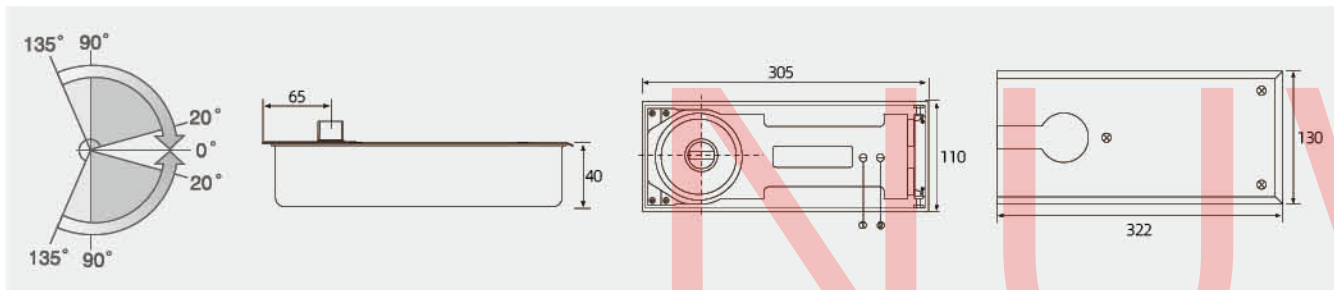
Super Thin Double Cylinder Spring
超薄型双缸地弹簧
 净重 Weight : 5.5KG
 最大开启角度 Max Angle : 135°
 定位 Hole-open : 不定位, 90°, 135°
 速度调节 Speed Adjusting
 Speed1 速 : 90° ~ 20°
 Speed2 速 : 20° ~ 0°
 建议最大门宽 Door Width : 1300mm
 建议最大门重 Door Weight : 150kg
 使用寿命 Test Time : 500,000 次以上
 适用温度范围 Temperature : -30° ~ 45°
 铁壳尺寸 (长 / 宽 / 高) Size : 305x110x40mm



KSM-322

技术参数 Technical data

Super Thin Double Cylinder Spring
超薄型双缸地弹簧
 净重 Weight : 5.4KG
 最大开启角度 Max Angle : 135°
 定位 Hole-open : 不定位, 90°, 135°
 速度调节 Speed Adjusting
 Speed1 速 : 90° ~ 20°
 Speed2 速 : 20° ~ 0°
 建议最大门宽 Door Width : 1250mm
 建议最大门重 Door Weight : 130kg
 使用寿命 Test Time : 500,000 次以上
 适用温度范围 Temperature : -30° ~ 45°
 铁壳尺寸 (长 / 宽 / 高) Size : 305x110x40mm



KSM-7300

技术参数 Technical data

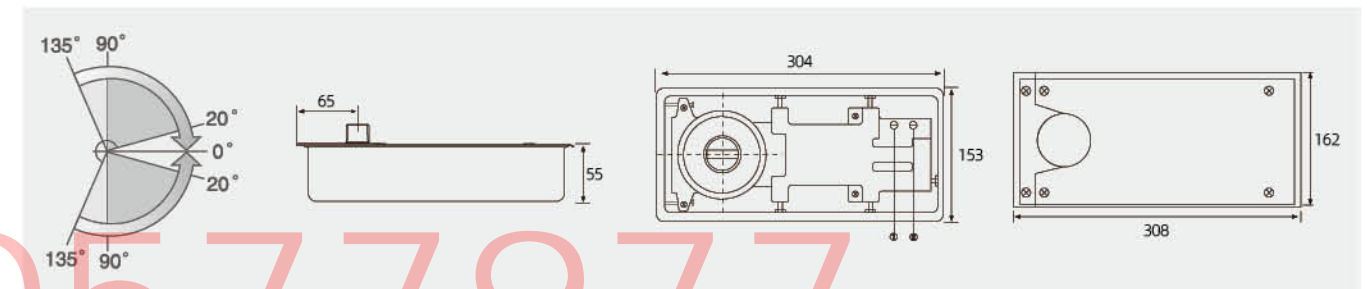
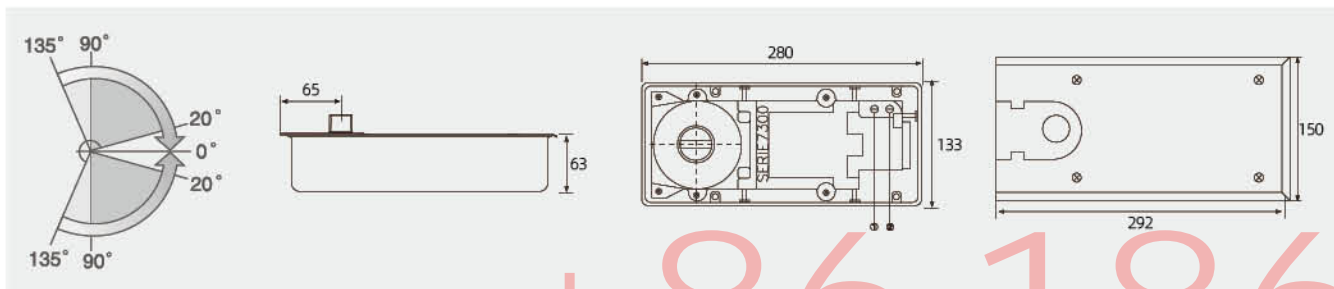
Heavy Single Cylinder Floor Spring
重型单缸地弹簧
 净重 Weight : 6.0KG
 最大开启角度 Max Angle : 135°
 定位 Hole-open : 不定位, 90°, 135°
 速度调节 Speed Adjusting
 Speed1 速 : 90° ~ 20°
 Speed2 速 : 20° ~ 0°
 建议最大门宽 Door Width : 1250mm
 建议最大门重 Door Weight : 180kg
 使用寿命 Test Time : 500,000 次以上
 适用温度范围 Temperature : -30° ~ 45°
 铁壳尺寸 (长 / 宽 / 高) Size : 280x133x63mm



KSM-8300

技术参数 Technical data

Heavy Single Cylinder Floor Spring
重型单缸地弹簧
 净重 Weight : 5.5KG
 最大开启角度 Max Angle : 135°
 定位 Hole-open : 不定位, 90°, 135°
 速度调节 Speed Adjusting
 Speed1 速 : 90° ~ 20°
 Speed2 速 : 20° ~ 0°
 建议最大门宽 Door Width : 1350mm
 建议最大门重 Door Weight : 200kg
 使用寿命 Test Time : 500,000 次以上
 适用温度范围 Temperature : -30° ~ 45°
 铁壳尺寸 (长 / 宽 / 高) Size : 304x153x55mm



A 主要材质: 优质不锈钢 / 铝合金
Main material: High quality stainless steel / Aluminum alloy

B 表面处理: 亮光 / 砂光 (颜色可定制)
Surface treatment: Mirror / Satin

C 适用范围: 10-15mm 钢化玻璃
Scope of application: 8-12mm tempered glass

A 主要材质: 优质不锈钢 / 铝合金
Main material: High quality stainless steel / Aluminum alloy

B 表面处理: 亮光 / 砂光 (颜色可定制)
Surface treatment: Mirror / Satin

C 适用范围: 10-15mm 钢化玻璃
Scope of application: 8-12mm tempered glass

KSM-D001 上夹 Top Patch



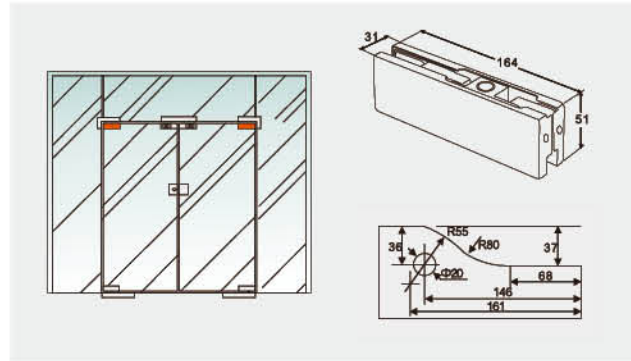
KSM-D002 下夹 BOTTOM PATCH



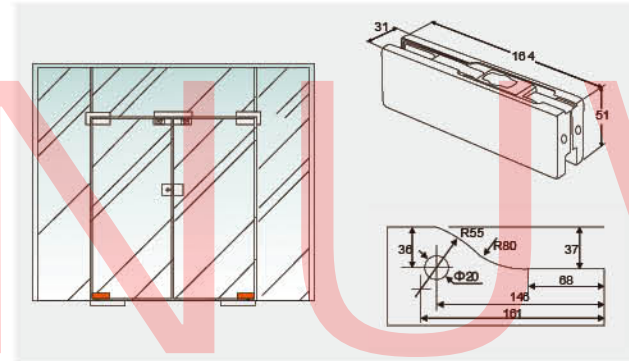
KSM-D005 锁夹 LOCK PATCH



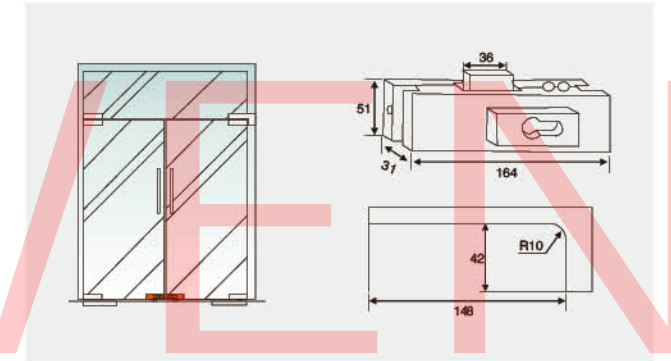
KSM-D006 锁夹 LOCK PATCH



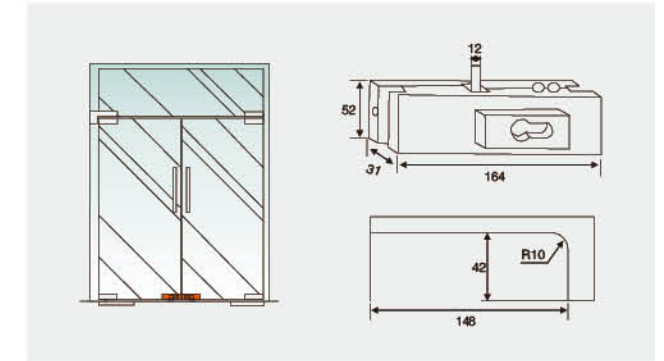
KSM-D003 顶夹 TOP CORNER PATCH



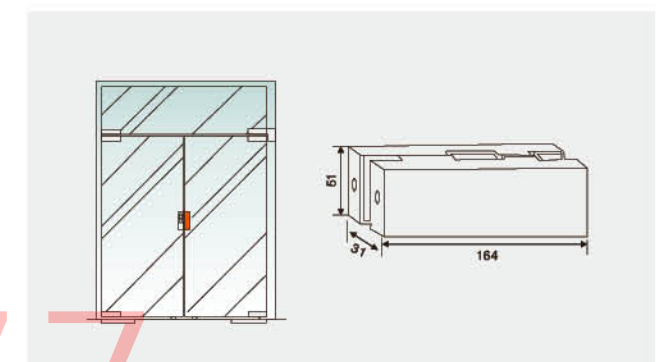
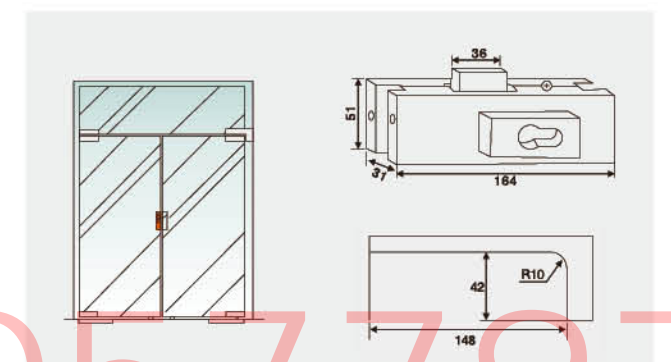
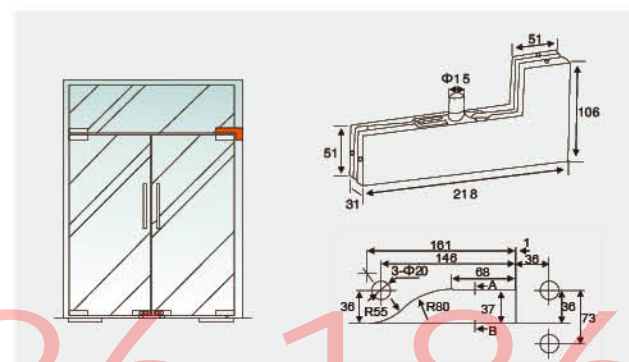
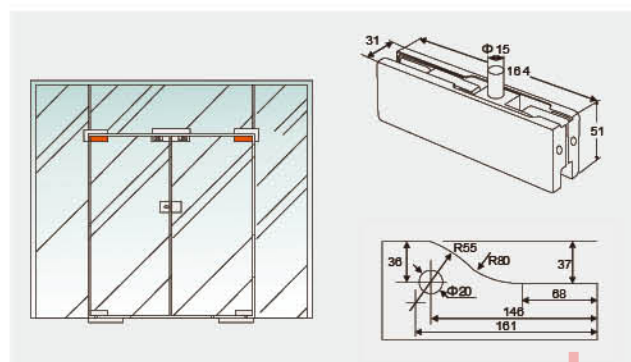
KSM-D004 曲夹 BIG L PATCH



KSM-D007 中间锁夹 CENTER LOCK PATCH



KSM-D008 中间副锁夹 SECOND LOCK PATCH



+ 86-18680577977

A 主要材质: 优质不锈钢 / 铝合金
Main material: High quality stainless steel / Aluminum alloy

B 表面处理: 亮光 / 砂光 (颜色可定制)
Surface treatment: Mirror / Satin

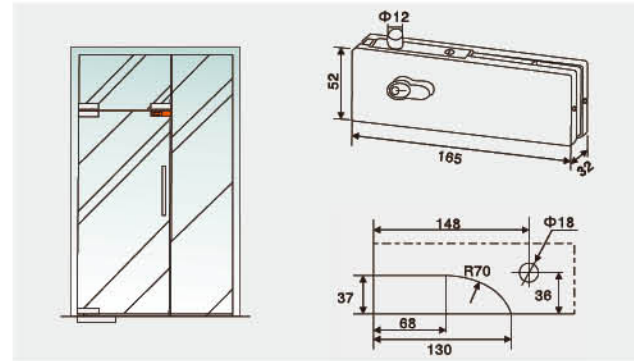
C 适用范围: 10-15mm 钢化玻璃
Scope of application: 8-12mm tempered glass

A 主要材质: 优质不锈钢 / 铝合金
Main material: High quality stainless steel / Aluminum alloy

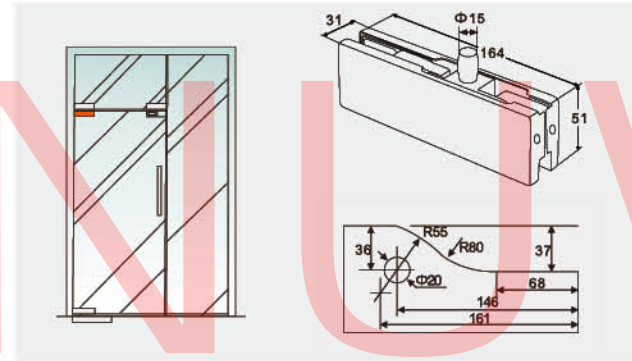
B 表面处理: 亮光 / 砂光 (颜色可定制)
Surface treatment: Mirror / Satin

C 适用范围: 10-15mm 钢化玻璃
Scope of application: 8-12mm tempered glass

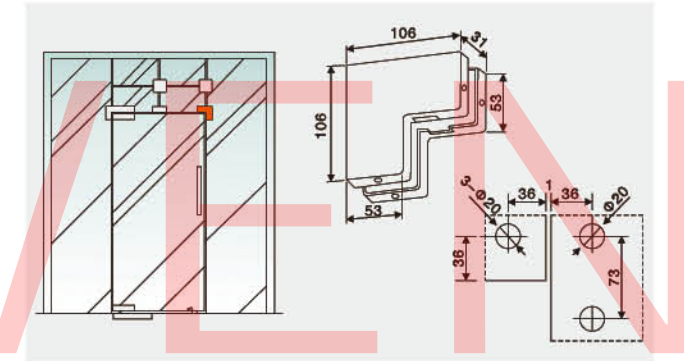
KSM-D009 M 款锁夹 M LOCK PATCH



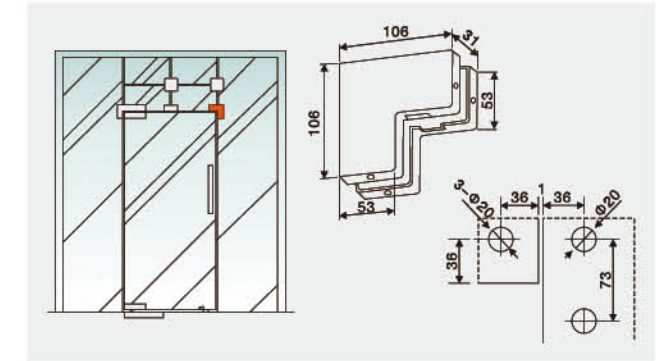
KSM-D010 带片顶夹 TOP CORNER PATCH



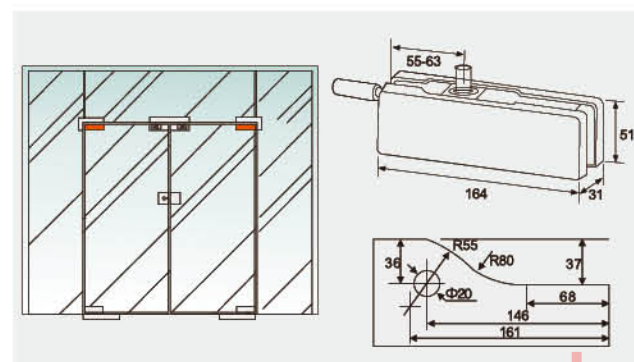
KSM-D013 小曲夹 SMALL L PATCH



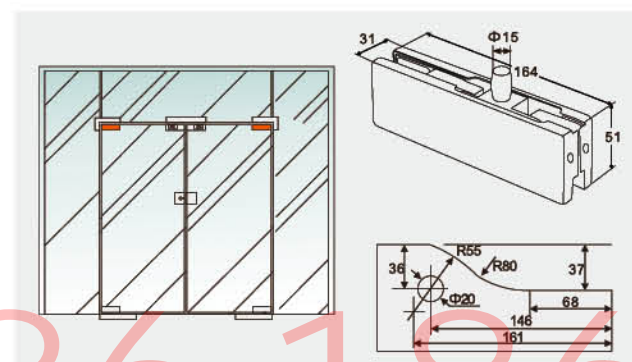
KSM-D014 正方加小曲 SQUARE SMALL L PATCH



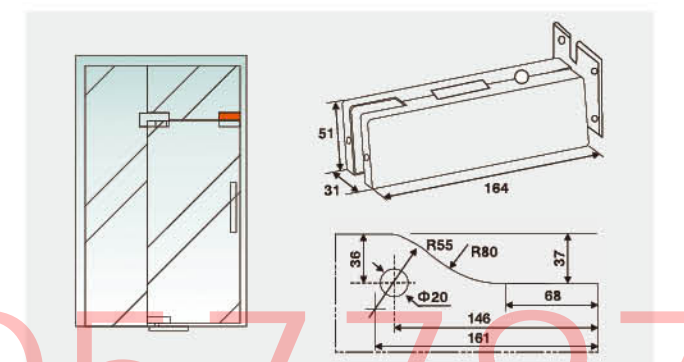
KSM-D011 带铜螺母顶夹 TOP CORNER PATCH



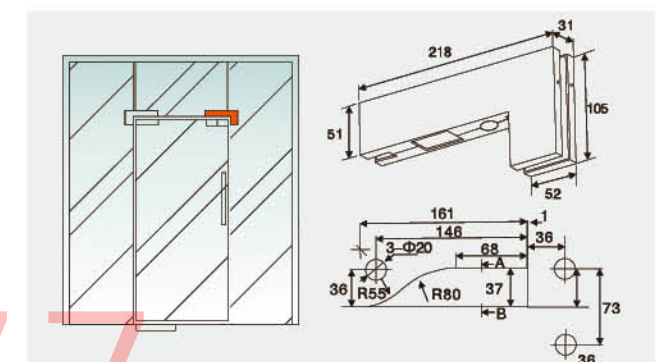
KSM-D012 长顶夹 LONG TOP CORNER PATCH



KSM-D015 带片顶盒 TOP CORNER PATCH



KSM-D016 曲盒 BIG L PATCH



+ 86-1868057797

A 主要材质: 优质不锈钢 / 铝合金
Main material: High quality stainless steel / Aluminum alloy

B 表面处理: 亮光 / 砂光 (颜色可定制)
Surface treatment: Mirror / Satin

C 适用范围: 10-15mm 钢化玻璃
Scope of application: 8-12mm tempered glass

A 主要材质: 优质不锈钢 / 铝合金
Main material: High quality stainless steel / Aluminum alloy

B 表面处理: 亮光 / 砂光 (颜色可定制)
Surface treatment: Mirror / Satin

C 适用范围: 10-15mm 钢化玻璃
Scope of application: 8-12mm tempered glass

KSM-D017 小方夹 SMALL SQUARE PATCH



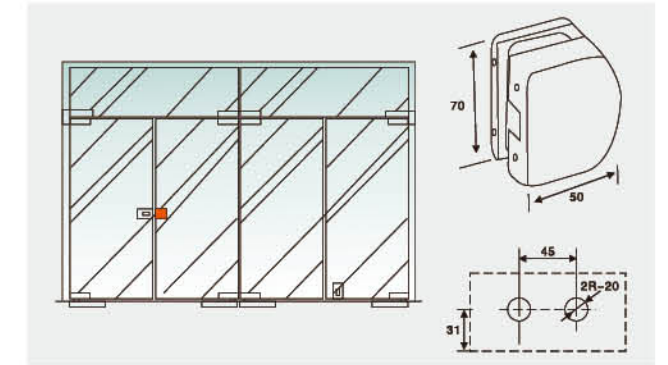
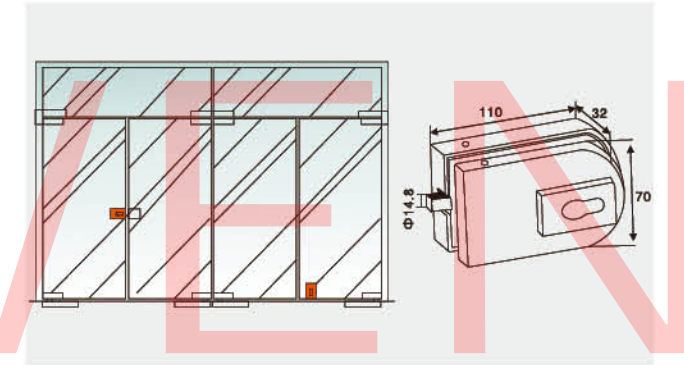
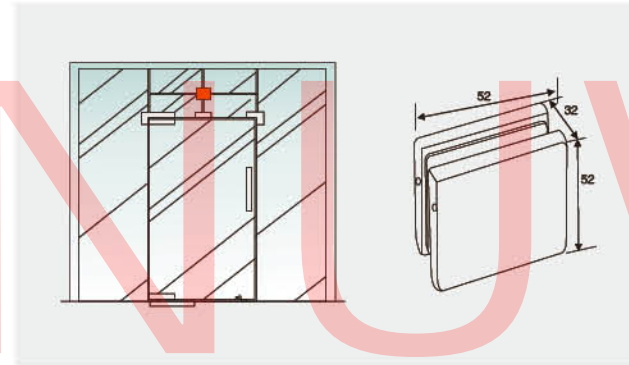
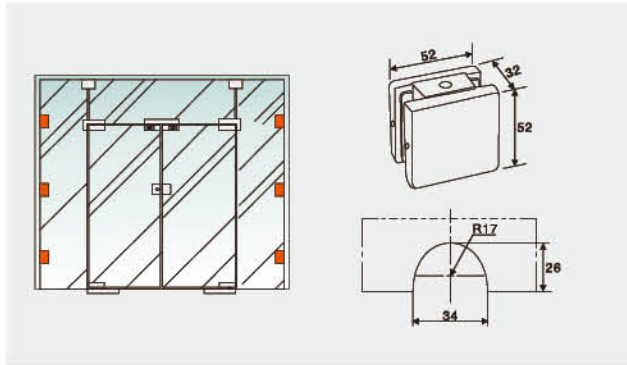
KSM-D018 正孔夹 (四边夹玻璃) SMALL SQUARE PATCH



KSM-D021 方形锁夹弧尾 SQUARE LOCK PATCH



KSM-D022 方形副锁夹弧尾 SQUARE SECOND LOCK PATCH

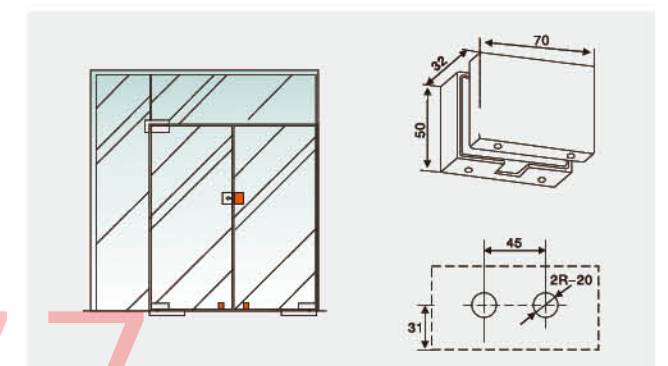
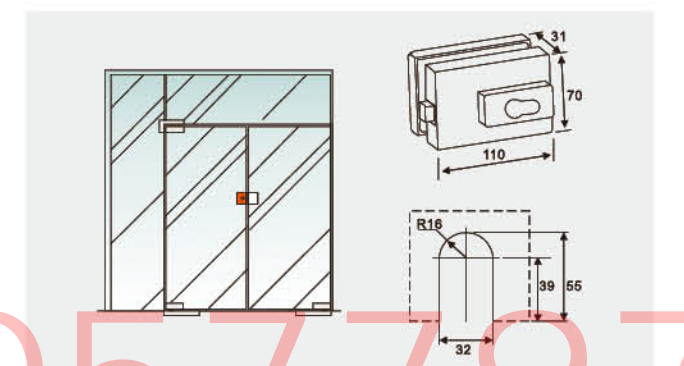
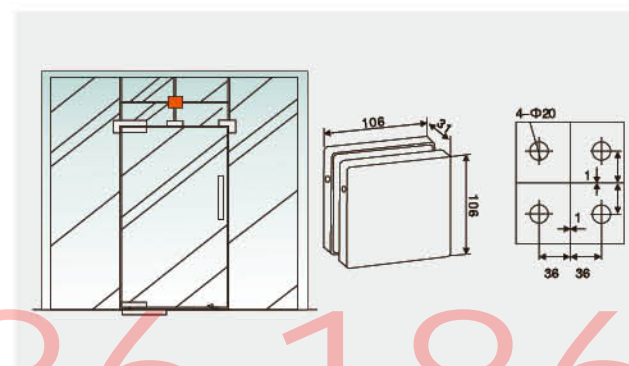
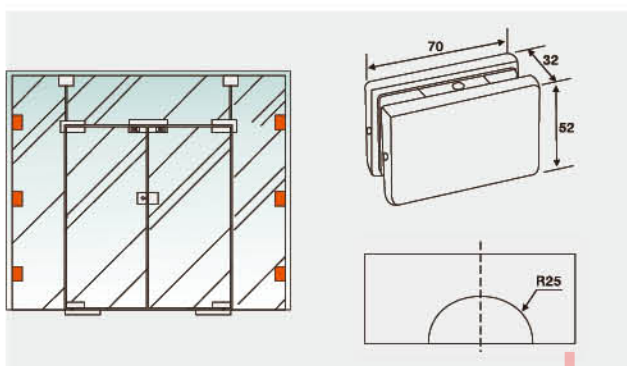


KSM-D019 长方夹 LONG SQUARE PATCH

KSM-D020 大正方夹 BIG SQUARE PATCH

KSM-D023 方形锁夹方尾 SQUARE LOCK PATCH

KSM-D024 方形副锁夹方尾 SQUARE SECOND LOCK PATCH



A 主要材质: 优质不锈钢 / 铝合金
Main material: High quality stainless steel / Aluminum alloy

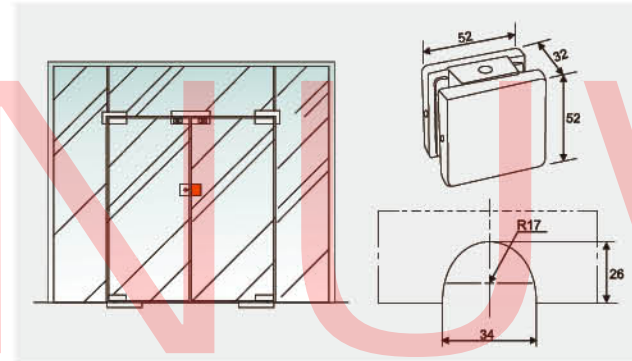
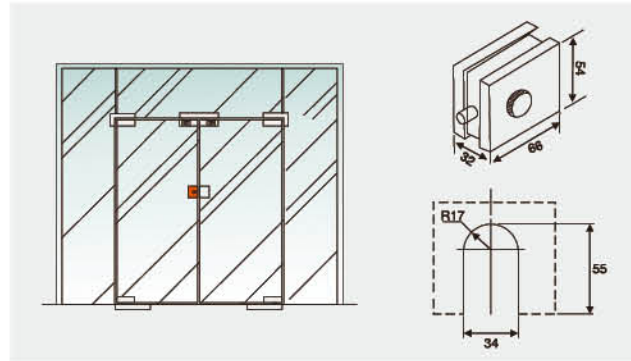
B 表面处理: 亮光 / 砂光 (颜色可定制)
Surface treatment: Mirror / Satin

C 适用范围: 10-15mm 钢化玻璃
Scope of application: 8-12mm tempered glass

KSM-D025 方形小锁夹 SQUARE SMALL LOCK PATCH



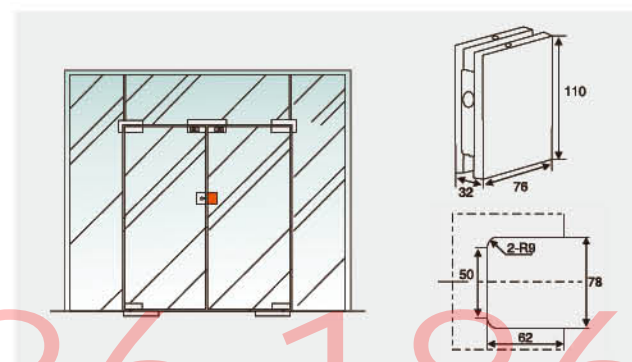
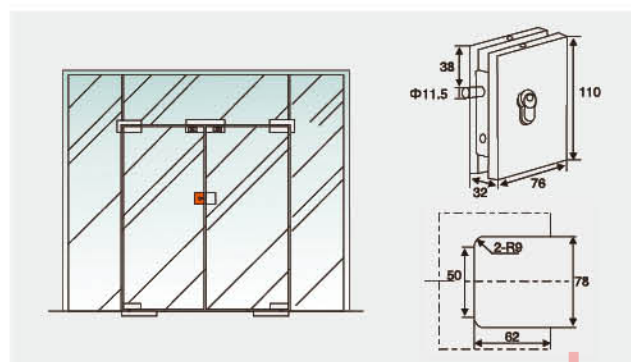
KSM-D026 方形小副锁 SQUARE SECOND LOCK PATCH



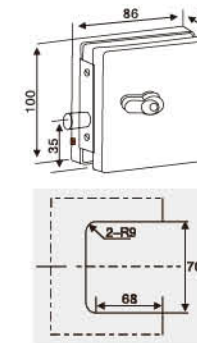
KSM-D027 方形锁夹 (单段) SQUARE LOCK PATCH



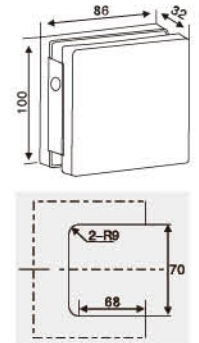
KSM-D028 方形副锁 SQUARE SECOND LOCK PATCH



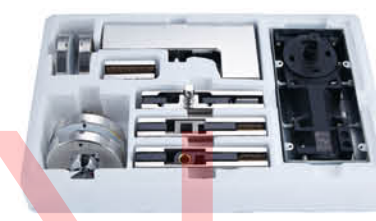
KSM-D029 方形锁夹 (双段) SQUARE LOCK PATCH



KSM-D030 方形副锁 SQUARE SECOND LOCK PATCH



KSM-01



KSM-02



KSM-03



+ 86-18680577977

A 主要材质: 优质不锈钢 / 铝合金
Main material: High quality stainless steel / Aluminum alloy

B 表面处理: 亮光 / 砂光 (颜色可定制)
Surface treatment: Mirror / Satin

C 适用范围: 10-15mm 钢化玻璃
Scope of application: 8-12mm tempered glass

A 主要材质: 优质不锈钢 / 铝合金
Main material: High quality stainless steel / Aluminum alloy

B 表面处理: 亮光 / 砂光 (颜色可定制)
Surface treatment: Mirror / Satin

C 适用范围: 10-15mm 钢化玻璃
Scope of application: 8-12mm tempered glass

KSM-D031 上夹 Top Patch



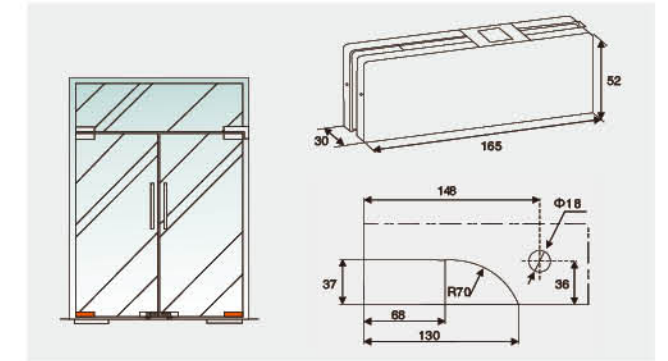
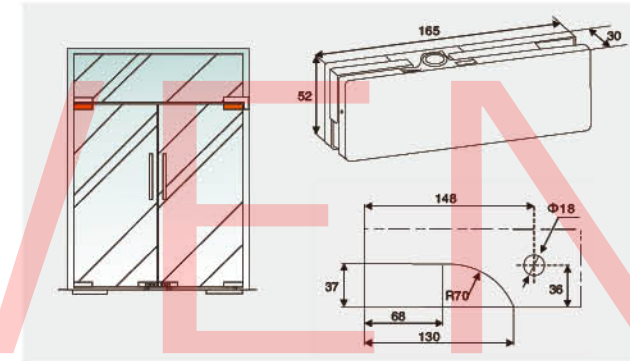
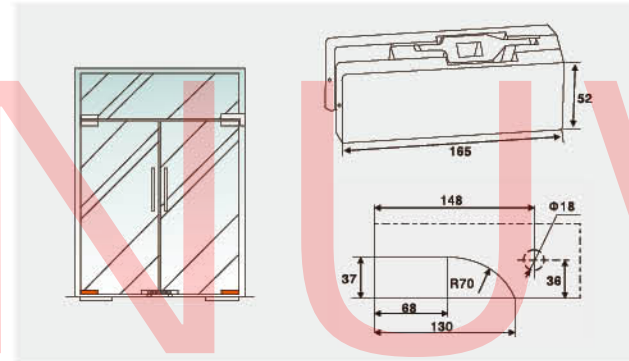
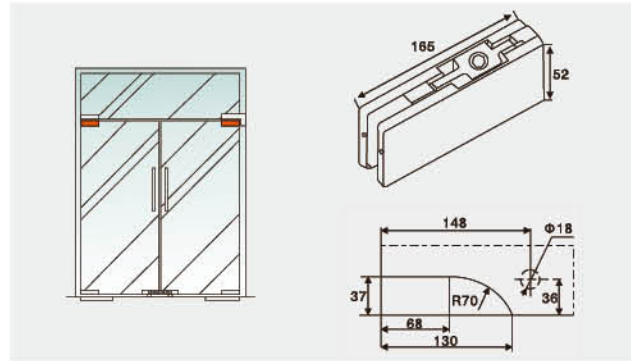
KSM-D032 下夹 BOTTOM PATCH



KSM-D035 上夹 Top Patch



KSM-D036 下夹 BOTTOM PATCH

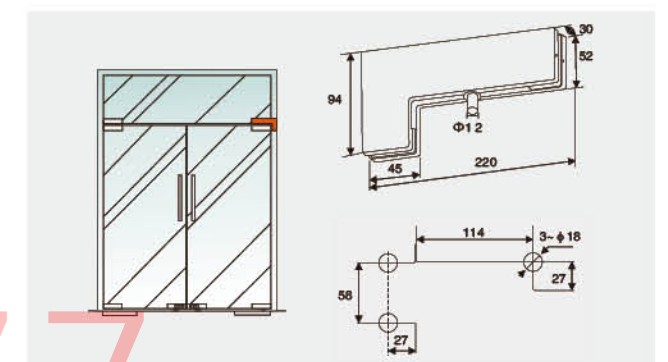
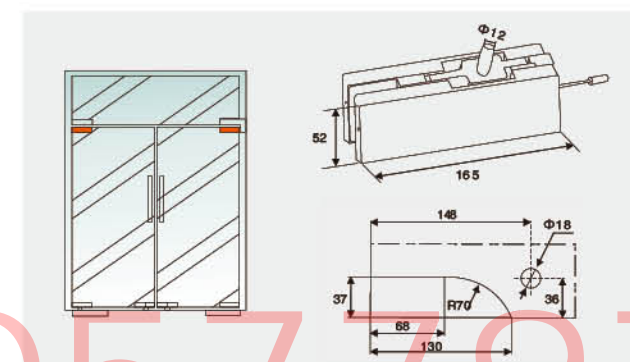
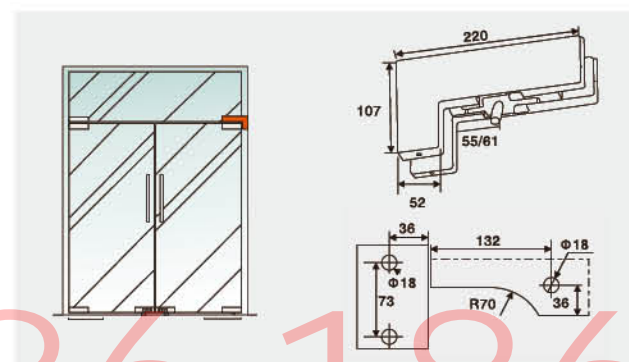
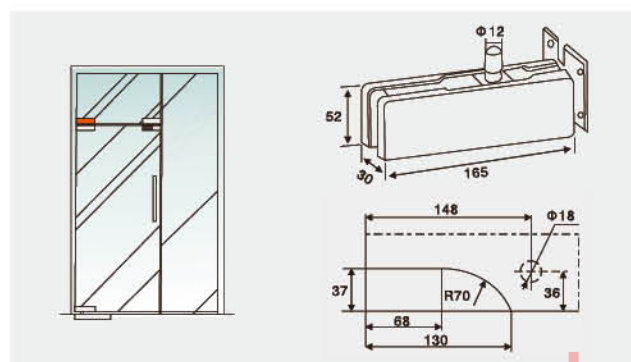


KSM-D033 顶夹 TOP CORNER PATCH

KSM-D034 曲夹 BIG L PATCH

KSM-D037 顶夹 TOP CORNER PATCH

KSM-D038 曲夹 BIG L PATCH



+ 86-18680577977

- A** 主要材质: 优质不锈钢 / 铝合金
Main material: High quality stainless steel / Aluminum alloy
- B** 表面处理: 亮光 / 砂光 (颜色可定制)
Surface treatment: Mirror / Satin
- C** 适用范围: 10-15mm 钢化玻璃
Scope of application: 8-12mm tempered glass

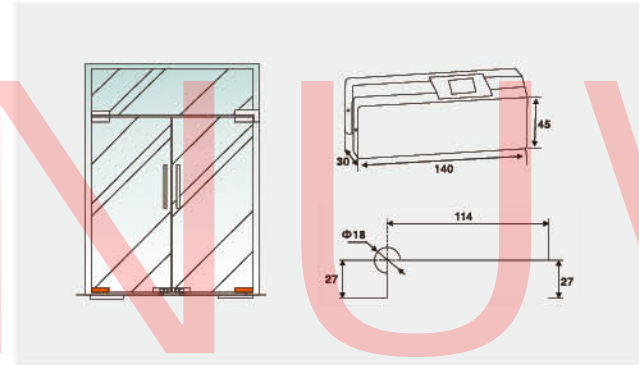
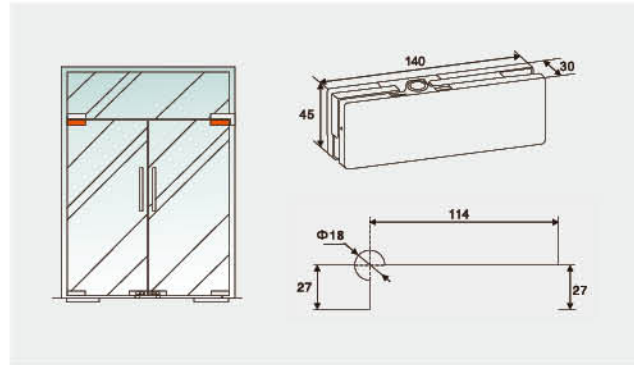
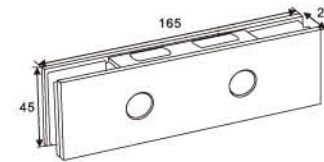
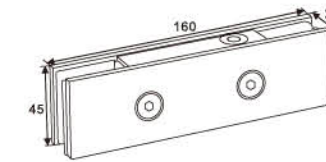
- A** 主要材质: 优质不锈钢 / 铝合金
Main material: High quality stainless steel / Aluminum alloy
- B** 表面处理: 亮光 / 砂光 (颜色可定制)
Surface treatment: Mirror / Satin
- C** 适用范围: 10-15mm 钢化玻璃
Scope of application: 8-12mm tempered glass

KSM-D039 上夹 Top Patch

KSM-D040 下夹 BOTTOM PATCH

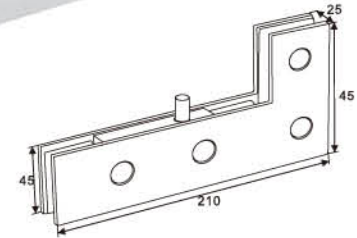
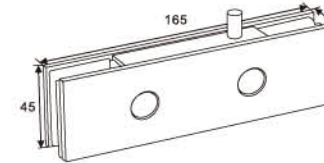
KSM-D043 精铸上夹 CASTING TOP PATCH

KSM-D044 精铸下夹 CASTING BOTTOM PATCH



KSM-D045 精铸顶夹 CASTING TOP CORNER PATCH

KSM-D046 精铸曲夹 CASTING L PATCH

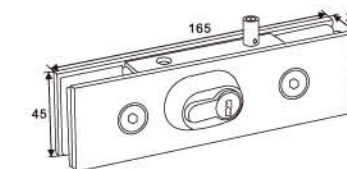
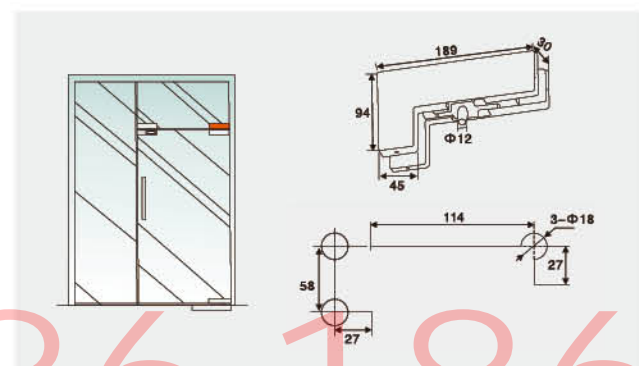
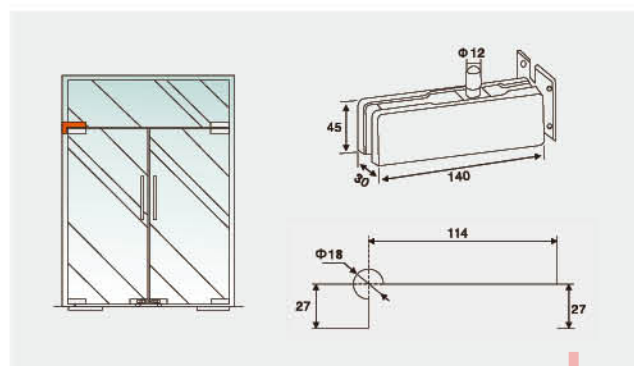


KSM-D041 顶夹 TOP CORNER PATCH

KSM-D042 曲夹 BIG L PATCH



KSM-D047 精铸锁夹 CASTING LOCK PATCH





SMART GLASS
Door Lock Series
智能玻璃门锁系列

A 主要材质: 优质不锈钢 / 铝合金
Main material: High quality stainless steel / Aluminum alloy

B 表面处理: 亮光 / 砂光 (颜色可定制)
Surface treatment: Mirror / Satin

C 适用范围: 10-15mm 钢化玻璃
Scope of application: 8-12mm tempered glass

KSM-E001 智能玻璃门锁
Smart glass door lock

KSM-E002 智能玻璃门锁
Smart glass door lock

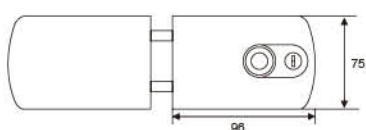
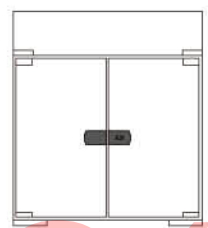
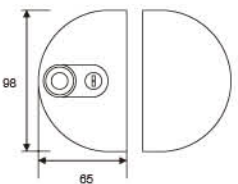


KSM-E003 智能玻璃门锁
Smart glass door lock

KSM-E004 智能玻璃门锁
Smart glass door lock



可选配件 Optional accessories

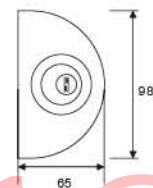
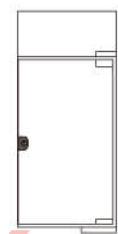
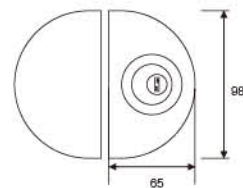
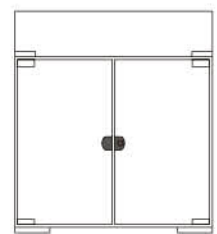


+86-18680577977



SEMI CIRCULAR
Glass Lock Series
半圆型玻璃锁系列

可选配件 Optional accessories



A 主要材质: 优质不锈钢 / 铝合金
Main material: High quality stainless steel / Aluminum alloy

B 表面处理: 亮光 / 砂光 (颜色可定制)
Surface treatment: Mirror / Satin

C 适用范围: 10-15mm 钢化玻璃
Scope of application: 8-12mm tempered glass

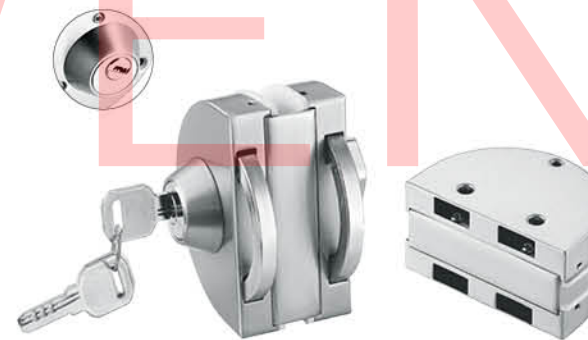
KSM-E005 双锁头双扇门锁
Right opening single door handle lock



KSM-E006 双锁头单扇门锁
Right opening single door handle lock



KSM-E007 锁头带扭双扇门锁
Double door handle lock (no grip on secondary side)



KSM-E008 锁头带扭单扇门锁
Double door handle lock (no grip on secondary side)



KSM-E009 单锁头双扇门锁
Single lock double door lock



KSM-E010 单锁头单扇门锁
Single lock single-door lock





A 主要材质: 优质不锈钢 / 铝合金
Main material: High quality stainless steel / Aluminum alloy

B 表面处理: 亮光 / 砂光 (颜色可定制)
Surface treatment: Mirror / Satin

C 适用范围: 10-15mm 钢化玻璃
Scope of application: 8-12mm tempered glass

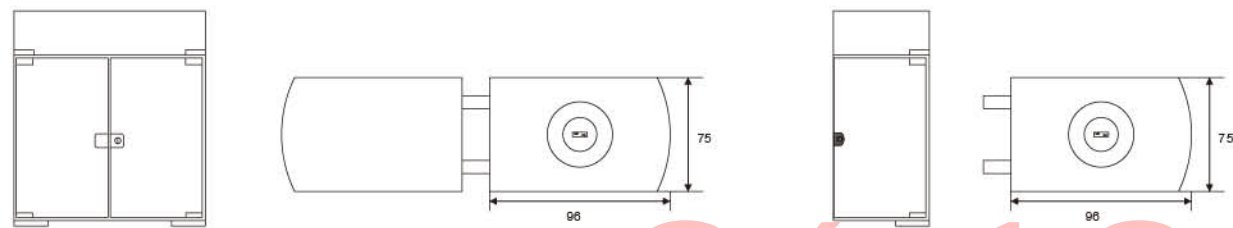
KSM-E011 锁头带扭双扇门锁
Lock head with twist double door lock



KSM-E012 锁头带扭单扇门锁
Lock head with twist single leaf door lock



可选配件 Optional accessories



A 主要材质: 优质不锈钢 / 铝合金
Main material: High quality stainless steel / Aluminum alloy

B 表面处理: 亮光 / 砂光 (颜色可定制)
Surface treatment: Mirror / Satin

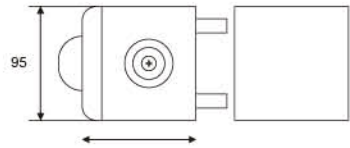
C 适用范围: 10-15mm 钢化玻璃
Scope of application: 8-12mm tempered glass

A 主要材质: 优质不锈钢 / 铝合金
Main material: High quality stainless steel / Aluminum alloy

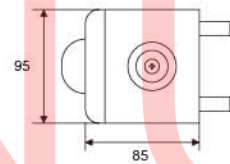
B 表面处理: 亮光 / 砂光 (颜色可定制)
Surface treatment: Mirror / Satin

C 适用范围: 10-15mm 钢化玻璃
Scope of application: 8-12mm tempered glass

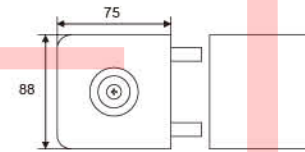
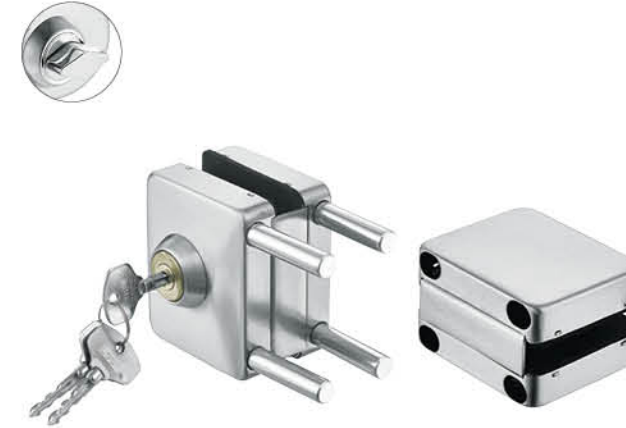
KSM-E015 单锁双扇门锁
Single lock double door lock



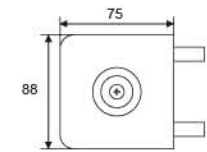
KSM-E016 单扇门锁
single door lock



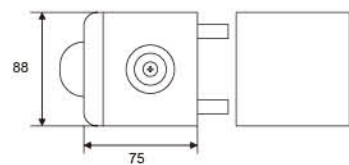
KSM-E019 锁头带扭双扇门锁
Lock head with twist double door lock



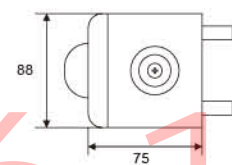
KSM-E020 锁头带扭单扇门锁
Lock head with twist single leaf door lock



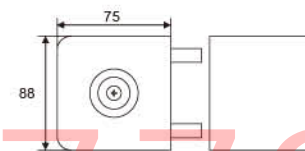
KSM-E017 单锁双扇门锁
Single lock double door lock



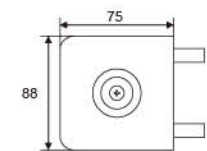
KSM-E018 单扇门锁
single door lock



KSM-E021 单锁双扇门锁
Single lock double door lock



KSM-E022 单扇门锁
single door lock





SEMI CIRCULAR
Glass Lock Series
半圆型玻璃锁系列

A 主要材质: 优质不锈钢 / 铝合金
Main material: High quality stainless steel / Aluminum alloy

B 表面处理: 亮光 / 砂光 (颜色可定制)
Surface treatment: Mirror / Satin

C 适用范围: 10-15mm 钢化玻璃
Scope of application: 8-12mm tempered glass

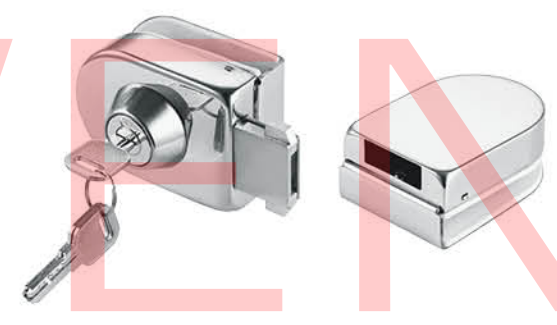
KSM-E023 锁头带扭双扇门锁
Lock head with twist double door lock

KSM-E024 锁头带扭单扇门锁
Lock head with twist single leaf door lock



KSM-E025 单锁双扇门锁
Single lock double door lock

KSM-E026 单扇门锁
single door lock



KSM-E027 单锁双扇门锁
Single lock double door lock

KSM-E028 单扇门锁
single door lock



KSM-E029 单锁双扇门锁
Single lock double door lock

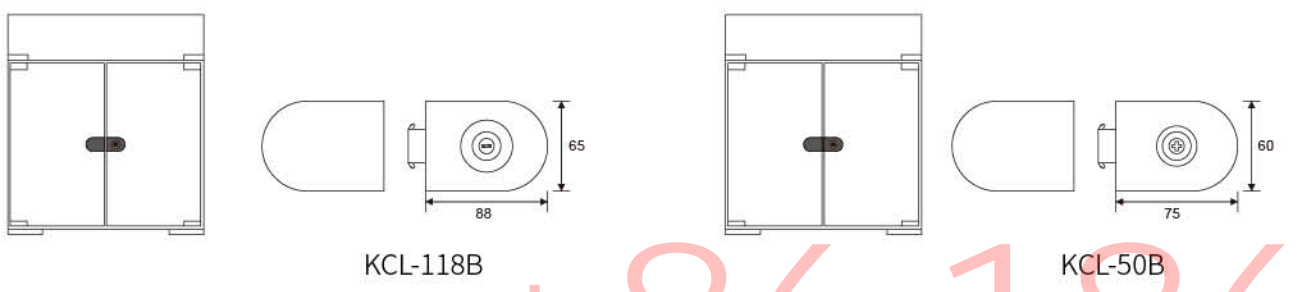
KSM-E030 单扇门锁
single door lock



可选配件 Optional accessories



注: 此锁芯可升级至十字铜锁芯
Note: The lock cylinder can be upgraded to a cross lock cylinder



+86-18680577977



A 主要材质: 优质不锈钢 / 铝合金
Main material: High quality stainless steel / Aluminum alloy

B 表面处理: 亮光 / 砂光 (颜色可定制)
Surface treatment: Mirror / Satin

C 适用范围: 10-15mm 钢化玻璃
Scope of application: 8-12mm tempered glass

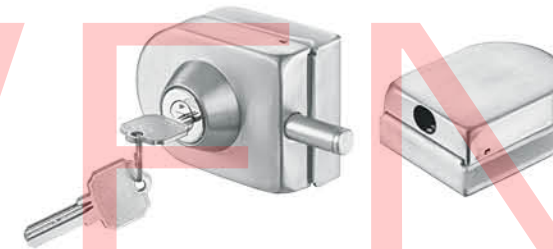
KSM-E031 锁头带扭双扇门锁
Lock head with twist double door lock



KSM-E032 锁头带扭单扇门锁
Lock head with twist single leaf door lock



KSM-E033 单锁双扇门锁
Single lock double door lock



KSM-E034 单扇门锁
single door lock



KSM-E035 单锁双扇门锁
Single lock double door lock



KSM-E036 单扇门锁
single door lock



KSM-E037 单锁双扇门锁
Single lock double door lock



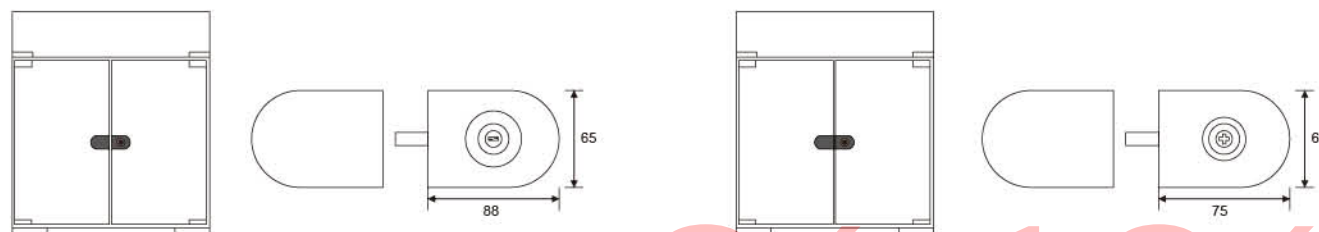
KSM-E038 单扇门锁
single door lock



可选配件 Optional accessories



注: 此锁芯可升级至十字铜锁芯
Note: The lock cylinder can be upgraded to a cross lock cylinder

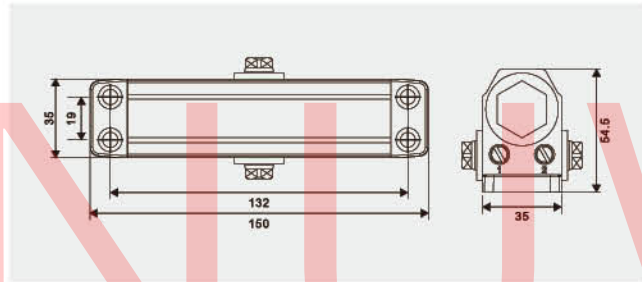


+86-18680577977

SABO-501 小方 XIAO FANG

功能特性 Remarkable character

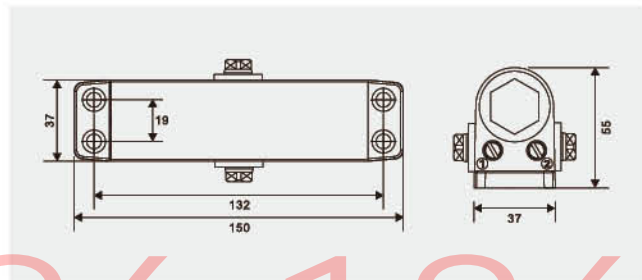
- 固定力度：2#
- 承载门重：25-45Kg
- 承载门宽：500-900mm
- 标示“90°”：具有定位功能
- 产品符合 CE、EN1154 标准 \P
- 工作温度：-40° C 至 60° C
- 质量保证：100 万次使用寿命
- Fixing force: 2#
- Load bearing door weight: 25-45Kg
- Width of bearing door: 500-900mm
- Mark "90°": with positioning function
- The product complies with CE and EN1154 standards P
- Operating temperature: - 40° C to 60° C
- Quality assurance: 1 million service life



SABO-502 小圆 SMALL ROUND

功能特性 Remarkable character

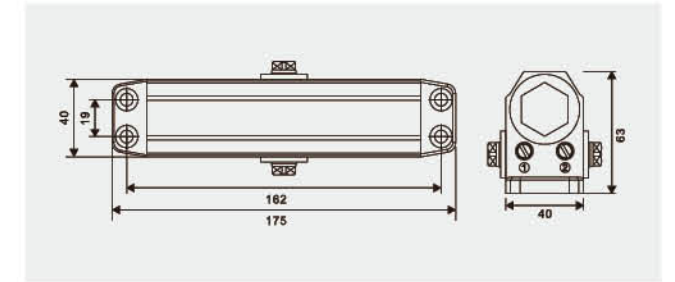
- 固定力度：2#
- 承载门重：25-45Kg
- 承载门宽：500-900mm
- 标示“90°”：具有定位功能
- 产品符合 CE、EN1154 标准 \P
- 工作温度：-40° C 至 60° C
- 质量保证：100 万次使用寿命
- Fixing force: 2#
- Load bearing door weight: 25-45Kg
- Width of bearing door: 500-900mm
- Mark "90°": with positioning function
- The product complies with CE and EN1154 standards P
- Operating temperature: - 40° C to 60° C
- Quality assurance: 1 million service life



SABO-503 中方 MIDDLE SQUARE

功能特性 Remarkable character

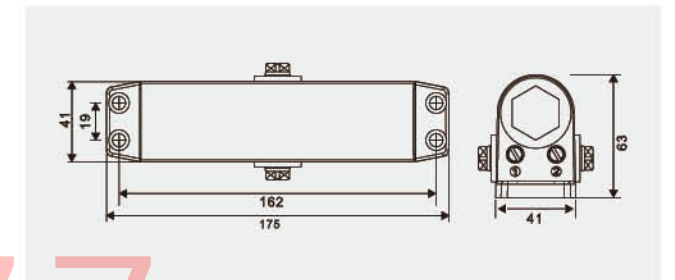
- 固定力度：3#
- 承载门重：45-60Kg
- 承载门宽：60-1200mm
- 标示“90°”：具有定位功能
- 产品符合 CE、EN1154 标准 \P
- 工作温度：-40° C 至 60° C
- 质量保证：100 万次使用寿命
- Fixing force: 3#
- Load bearing door weight: 45-60Kg
- Width of load-bearing door: 60-1200mm
- Mark "90°": with positioning function
- The product complies with CE and EN1154 standards P
- Operating temperature: - 40° C to 60° C
- Quality assurance: 1 million service life



SABO-504 中圆 MIDDLE ROUND

功能特性 Remarkable character

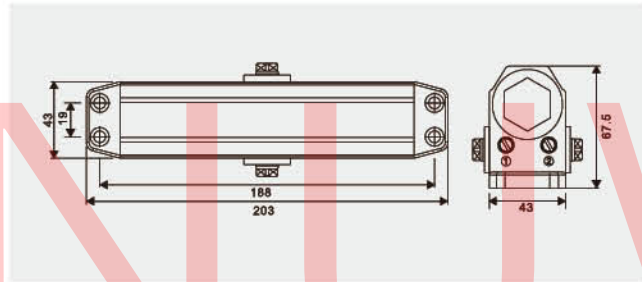
- 固定力度：3#
- 承载门重：45-60Kg
- 承载门宽：60-1200mm
- 标示“90°”：具有定位功能
- 产品符合 CE、EN1154 标准 \P
- 工作温度：-40° C 至 60° C
- 质量保证：100 万次使用寿命
- Fixing force: 3#
- Load bearing door weight: 45-60Kg
- Width of load-bearing door: 60-1200mm
- Mark "90°": with positioning function
- The product complies with CE and EN1154 standards P
- Operating temperature: - 40° C to 60° C
- Quality assurance: 1 million service life



SABO-505 大方 GENEROUS

功能特性 Remarkable character

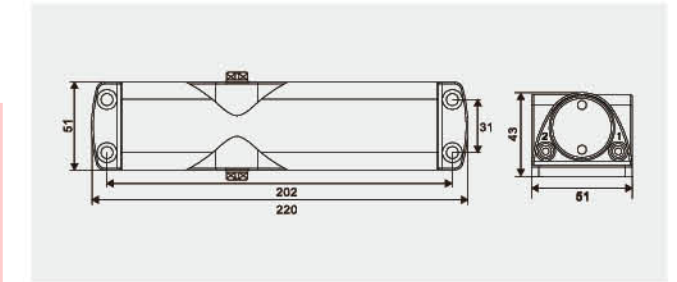
- 固定力度：4#
- 承载门重：60-80KG
- 承载门宽：900-1300mm
- 标示“90°”：具有定位功能
- 产品符合 CE、EN1154 标准 \P
- 工作温度：-40° C 至 60° C
- 质量保证：100 万次使用寿命
- Fixing force: 4#
- Load bearing door weight: 60-80KG
- Width of bearing door: 900-1300mm
- Mark "90°": with positioning function
- The product complies with CE and EN1154 standards P
- Operating temperature: - 40° C to 60° C
- Quality assurance: 1 million service life



SABO-507 三角机 TRIANGLE MACHINE

功能特性 Remarkable character

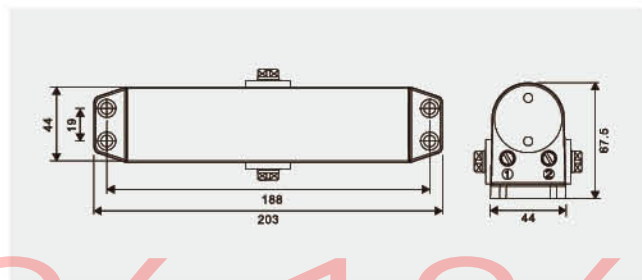
- 固定力度：3#
- 承载门重：45-65KG
- 承载门宽：900-1300mm
- 标示“90°”：具有定位功能
- 产品符合 CE、EN1154 标准 \P
- 工作温度：-40° C 至 60° C
- 质量保证：100 万次使用寿命
- Fixing force: 3#
- Load bearing door weight: 45-65KG
- Width of bearing door: 900-1300mm
- Mark "90°": with positioning function
- The product complies with CE and EN1154 standards P
- Operating temperature: - 40° C to 60° C
- Quality assurance: 1 million service life



SABO-506 大圆 BIG ROUND

功能特性 Remarkable character

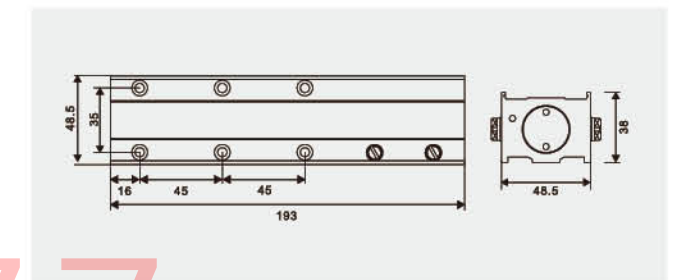
- 固定力度：4#
- 承载门重：60-80KG
- 承载门宽：900-1300mm
- 标示“90°”：具有定位功能
- 产品符合 CE、EN1154 标准 \P
- 工作温度：-40° C 至 60° C
- 质量保证：100 万次使用寿命
- Fixing force: 4#
- Load bearing door weight: 60-80KG
- Width of bearing door: 900-1300mm
- Mark "90°": with positioning function
- The product complies with CE and EN1154 standards P
- Operating temperature: - 40° C to 60° C
- Quality assurance: 1 million service life



SABO-508 四方机 SIFANG MACHINE

功能特性 Remarkable character

- 固定力度：3#
- 承载门重：45-65KG
- 承载门宽：900-1300mm
- 标示“90°”：具有定位功能
- 产品符合 CE、EN1154 标准 \P
- 工作温度：-40° C 至 60° C
- 质量保证：100 万次使用寿命
- Fixing force: 3#
- Load bearing door weight: 45-65KG
- Width of bearing door: 900-1300mm
- Mark "90°": with positioning function
- The product complies with CE and EN1154 standards P
- Operating temperature: - 40° C to 60° C
- Quality assurance: 1 million service life



SABO-509 暗方 CONCEALED SQUARE

功能特性 Remarkable character

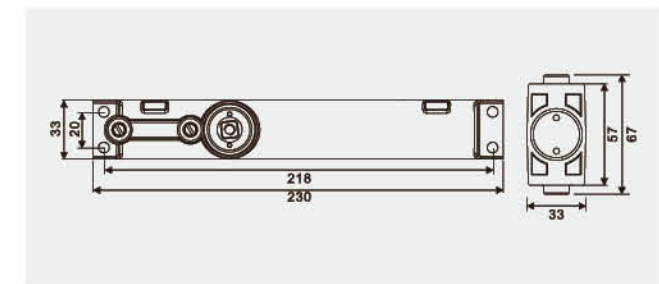
- 固定力度：3#
- 承载门重：35-65KG
- 承载门宽：1100-2100mm
- 标示“90°”：具有定位功能
- 产品符合 CE、EN1154 标准 \P
- 工作温度：-40° C 至 60° C
- 质量保证：100 万次使用寿命
- Fixing force: 3#
- Load bearing door weight: 35-65KG
- Width of bearing door: 1100-2100mm
- Mark "90°": with positioning function
- The product complies with CE and EN1154 standards P
- Operating temperature: - 40 ° C to 60 ° C
- Quality assurance: 1 million service life



SABO-511 超薄三调速隐藏式闭门器 THREE SPEED

功能特性 Remarkable character

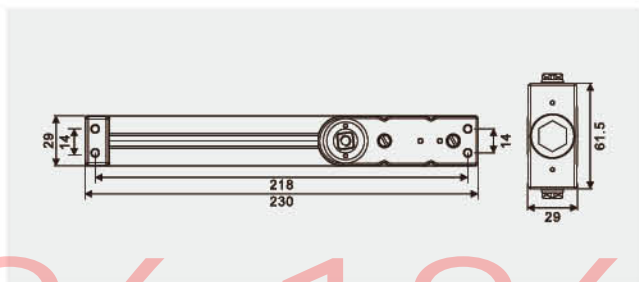
- 固定力度：3#
- 承载门重：25-45Kg
- 承载门宽：1100mm
- 标示“90°”：具有定位功能
- 产品符合 CE、EN1154 标准 \P
- 工作温度：-40° C 至 60° C
- 质量保证：100 万次使用寿命
- Fixing force: 3#
- Load bearing door weight: 25-45Kg
- Width of bearing door: 1100mm
- Mark "90°": with positioning function
- The product complies with CE and EN1154 standards P
- Operating temperature: - 40 ° C to 60 ° C
- Quality assurance: 1 million service life



SABO-510 暗圆 CONCEALED ROUND

功能特性 Remarkable character

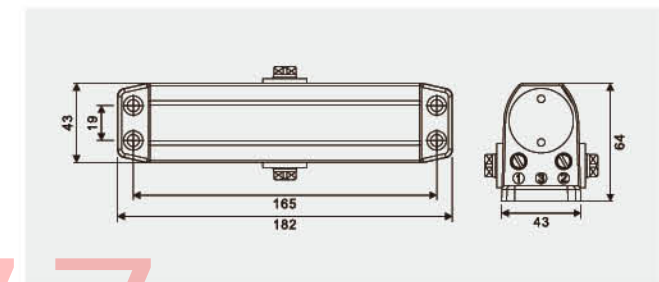
- 固定力度：3#
- 承载门重：35-65KG
- 承载门宽：1100-2100mm
- 标示“90°”：具有定位功能
- 产品符合 CE、EN1154 标准 \P
- 工作温度：-40° C 至 60° C
- 质量保证：100 万次使用寿命
- Fixing force: 3#
- Load bearing door weight: 35-65KG
- Width of bearing door: 1100-2100mm
- Mark "90°": with positioning function
- The product complies with CE and EN1154 standards P
- Operating temperature: - 40 ° C to 60 ° C
- Quality assurance: 1 million service life



SABO-165 165 机闭门器 HOLE TO HOLE DOOR CLOSER

功能特性 Remarkable character

- 固定力度：3#
- 承载门重：25-45Kg
- 承载门宽：800-1100mm
- 标示“90°”：具有定位功能
- 产品符合 CE、EN1154 标准 \P
- 工作温度：-40° C 至 60° C
- 质量保证：100 万次使用寿命
- Fixing force: 3#
- Load bearing door weight: 25-45Kg
- Width of bearing door: 800-1100mm
- Mark "90°": with positioning function
- The product complies with CE and EN1154 standards P
- Operating temperature: - 40 ° C to 60 ° C
- Quality assurance: 1 million service life



A 主要材质: 不锈钢 / 黄铜 / 锌合金
Main material: Stainless Steel / Brass / Zinc Alloy

B 表面处理: 镜光 / 拉丝
Surface treatment: Mirror Light / Brushed

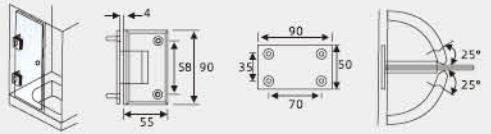
C 适用范围: 8-12mm 钢化玻璃
Scope of application: 8-12mm Tempered Glass

A 主要材质: 不锈钢 / 黄铜 / 锌合金
Main material: Stainless Steel / Brass / Zinc Alloy

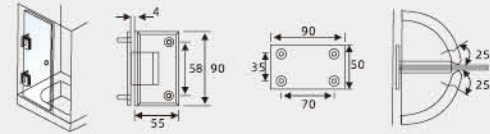
B 表面处理: 镜光 / 拉丝
Surface treatment: Mirror Light / Brushed

C 适用范围: 8-12mm 钢化玻璃
Scope of application: 8-12mm Tempered Glass

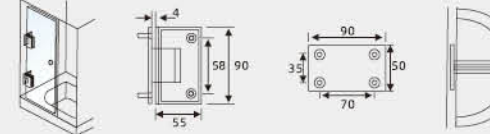
KSM-F001 90° 单边浴室夹 90° Single side Shower hinge



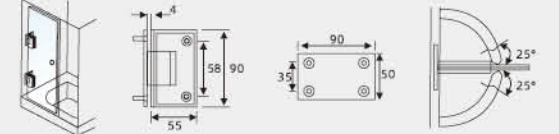
KSM-F002 90° 双边浴室夹 90° Double side Shower hinge



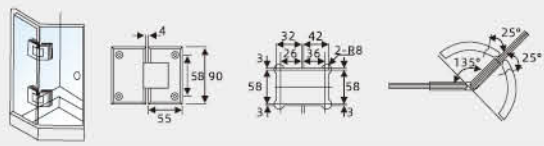
KSM-F006 90° 单边浴室夹 90° Single side Shower hinge



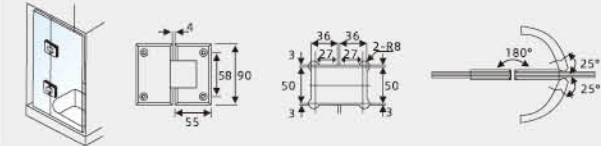
KSM-F007 90° 双边浴室夹 90° Double side Shower hinge



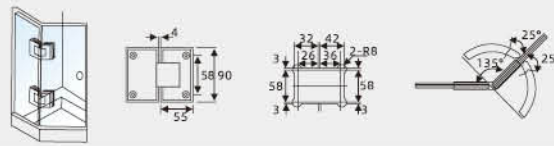
KSM-F003 135° 浴室夹 135° Shower hinge



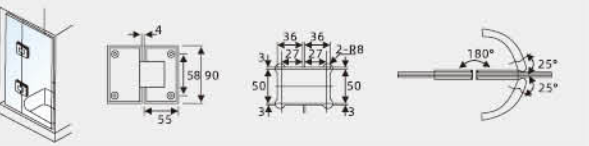
KSM-F004 180° 浴室夹 180° Shower hinge



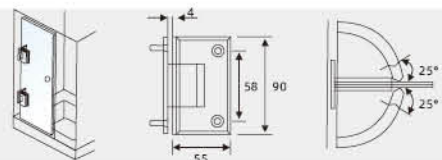
KSM-F008 135° 浴室夹 135° Shower hinge



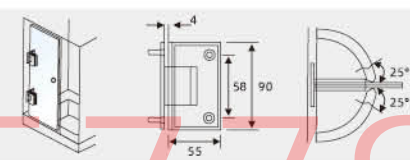
KSM-F009 180° 浴室夹 180° Shower hinge



KSM-F005 90° 双页浴室夹 90° Double Clamp Shower hinge



KSM-F010 90° 双页浴室夹 90° Double Clamp Shower hinge

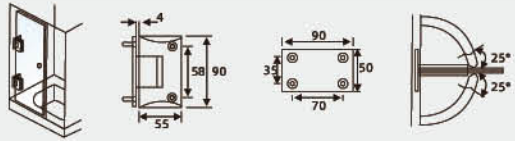


A 主要材质: 不锈钢 / 黄铜 / 锌合金
Main material: Stainless Steel / Brass / Zinc Alloy

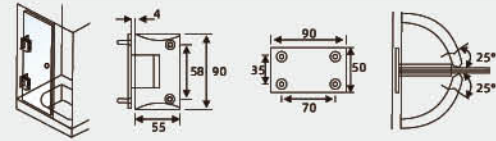
B 表面处理: 镜光 / 拉丝
Surface treatment: Mirror Light / Brushed

C 适用范围: 8-12mm 钢化玻璃
Scope of application: 8-12mm Tempered Glass

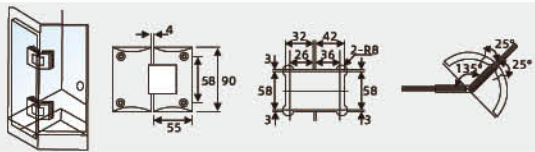
KSM-F011 90° 单边浴室夹 90° Single side Shower hinge



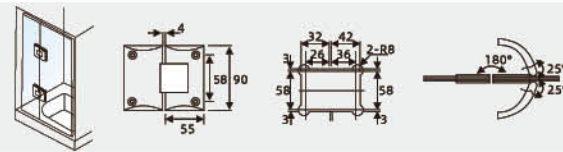
KSM-F012 90° 双边浴室夹 90° Double side Shower hinge



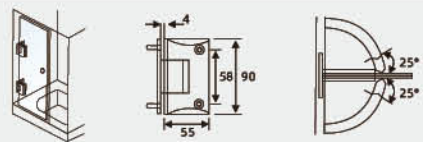
KSM-F013 135° 浴室夹 135° Shower hinge



KSM-F014 180° 浴室夹 180° Shower hinge



KSM-F015 90° 双页浴室夹 90° Double Clamp Shower hinge



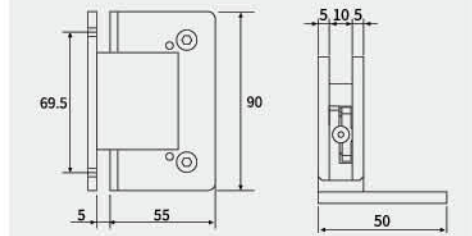
G-90A Shower Room Hydraulic Buffer Glass Clamp
淋浴房液压缓冲玻璃夹



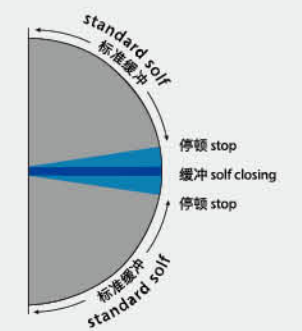
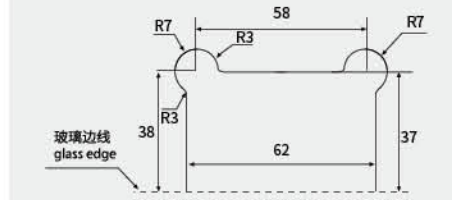
技术参数 Technical Data

主要材质 Main Material: 不锈钢 Stainless Steel
表面处理 Finish: 砂面 / 光面 Sand/Smooth
适用门厚 (mm) Door Thickness: 8-12mm
最大适用门宽 (mm) Door Wide: 800mm
开启角度 Opening Angle: 95°
产品功能 Function: 双向缓冲关闭 Two-way Soft Close
产品适用 Application: 淋浴房玻璃门 Shower room glass door
最大承重 Weight Capacity: 45 kg / 2 PCS

外观尺寸 Appearance Size



开孔尺寸 Hole Size



G-90 Shower Room Hydraulic Buffer Glass Clamp
淋浴房液压缓冲玻璃夹



技术参数 Technical Data

主要材质 Main Material:
不锈钢 Stainless Steel

表面处理 Finish
砂面 / 光面 Sand/Smooth

适用门厚 (mm) Door Thickness
8-12mm

最大适用门宽 (mm) Door Wide
800mm

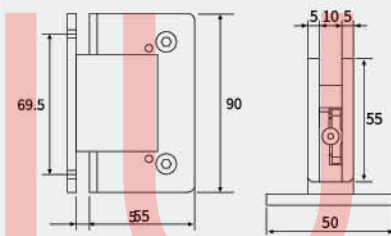
开启角度 Opening Angle
95°

产品功能 Function
双向缓冲关闭 Two-way Soft Close

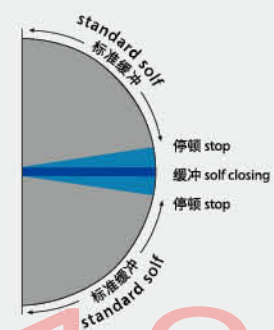
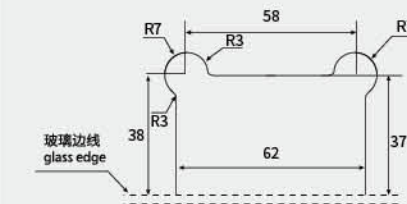
产品适用 Application
淋浴房玻璃门 Shower room glass door

最大承重 Weight Capacity
45 kg / 2 PCS

外观尺寸 Appearance Size



开孔尺寸 Hole Size



G-135 Shower Room Hydraulic Buffer Glass Clamp
淋浴房液压缓冲玻璃夹



技术参数 Technical Data

主要材质 Main Material:
不锈钢 Stainless Steel

表面处理 Finish
砂面 / 光面 Sand/Smooth

适用门厚 (mm) Door Thickness
8-12mm

最大适用门宽 (mm) Door Wide
800mm

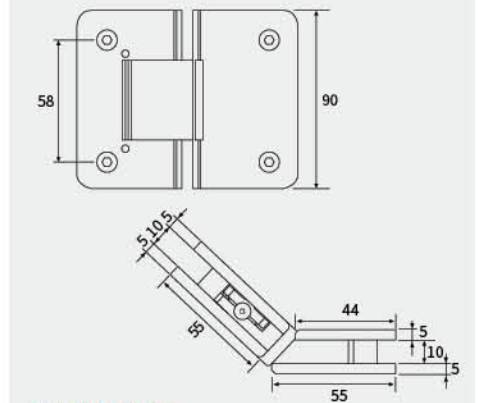
开启角度 Opening Angle
95°

产品功能 Function
双向缓冲关闭 Two-way Soft Close

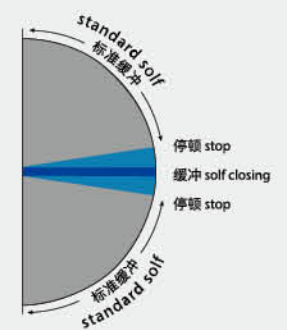
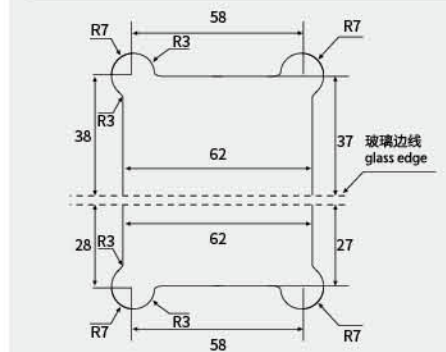
产品适用 Application
淋浴房玻璃门 Shower room glass door

最大承重 Weight Capacity
45 kg / 2 PCS

外观尺寸 Appearance Size



开孔尺寸 Hole Size



G-180 Shower Room Hydraulic Buffer Glass Clamp
淋浴房液压缓冲玻璃夹



技术参数 Technical Data

主要材质 Main Material:
不锈钢 Stainless Steel

表面处理 Finish:
砂面 / 光面 Sand/Smooth

适用门厚 (mm) Door Thickness:
8-12mm

最大适用门宽 (mm) Door Wide:
800mm

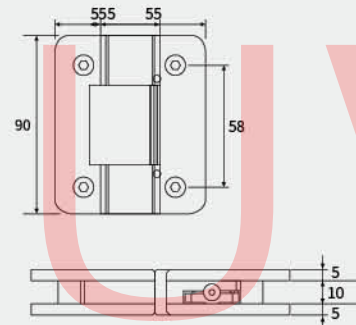
开启角度 Opening Angle:
95°

产品功能 Function:
双向缓冲关闭 Two-way Soft Close

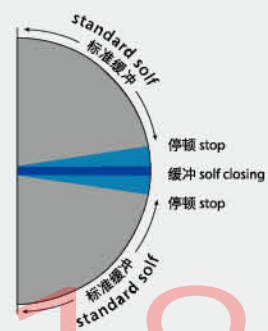
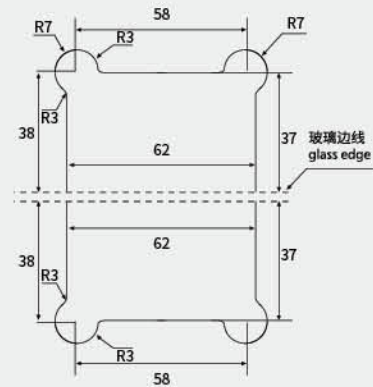
产品适用 Application:
淋浴房玻璃门 Shower room glass door

最大承重 Weight Capacity:
45 kg / 2 PCS

外观尺寸 Appearance Size



开孔尺寸 Hole Size



G-90B Shower Room Hydraulic Buffer Glass Clamp
淋浴房液压缓冲玻璃夹



技术参数 Technical Data

主要材质 Main Material:
不锈钢 Stainless Steel

表面处理 Finish:
砂面 / 光面 Sand/Smooth

适用门厚 (mm) Door Thickness:
8-12mm

最大适用门宽 (mm) Door Wide:
800mm

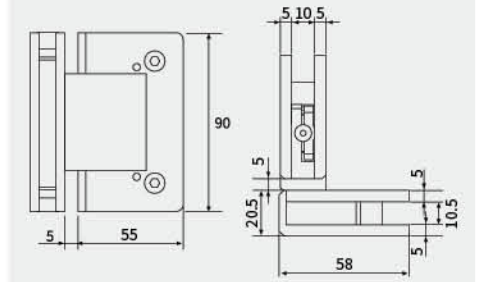
开启角度 Opening Angle:
95°

产品功能 Function:
双向缓冲关闭 Two-way Soft Close

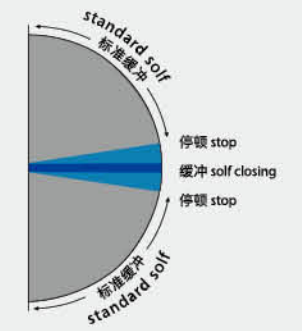
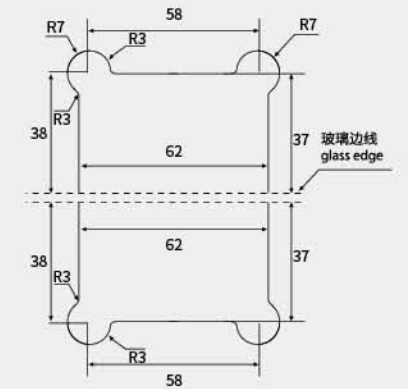
产品适用 Application:
淋浴房玻璃门 Shower room glass door

最大承重 Weight Capacity:
45 kg / 2 PCS

外观尺寸 Appearance Size



开孔尺寸 Hole Size



KSM-G001 固定夹 attaching clamp



玻璃隔断码 0°
Glass Clamp 0°

KSM-G002 固定夹 attaching clamp



玻璃隔断码 0°
Glass Clamp 0°

KSM-G009 固定夹 attaching clamp



玻璃隔断码 0°
Glass Clamp 0°

KSM-G010 固定夹 attaching clamp



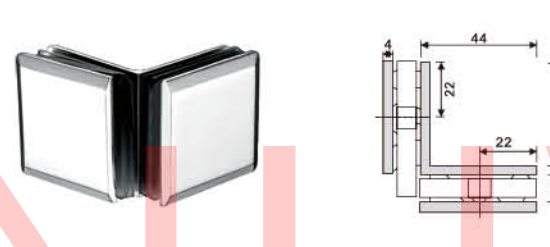
玻璃隔断码 0°
Glass Clamp 0°

KSM-G003 固定夹 attaching clamp



玻璃隔断码 90°单面
Glass Clamp 90° single

KSM-G004 固定夹 attaching clamp



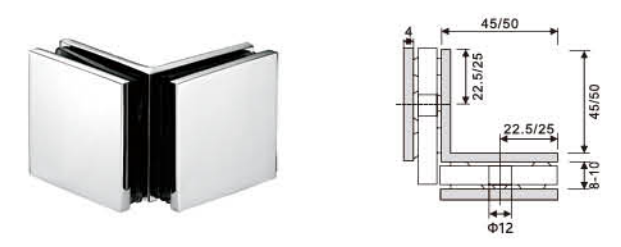
玻璃隔断码 90°双面
Glass Clamp 90° double

KSM-G011 固定夹 attaching clamp



玻璃隔断码 90°单面
Glass Clamp 90° single

KSM-G012 固定夹 attaching clamp



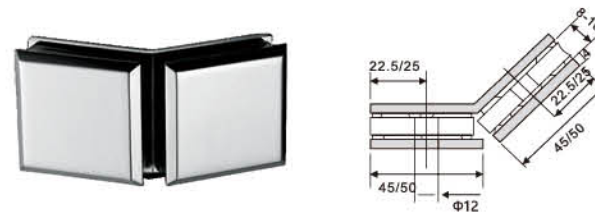
玻璃隔断码 90°双面
Glass Clamp 90° double

KSM-G005 固定夹 attaching clamp



玻璃隔断码 135°单面
Glass Clamp 135° single

KSM-G006 固定夹 attaching clamp



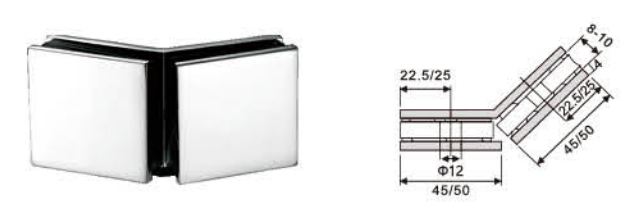
玻璃隔断码 135°双面
Glass Clamp 135° double

KSM-G013 固定夹 attaching clamp



玻璃隔断码 135°单面
Glass Clamp 135° single

KSM-G014 固定夹 attaching clamp



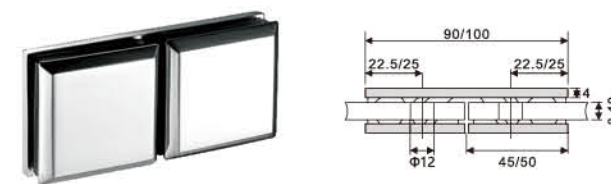
玻璃隔断码 135°双面
Glass Clamp 135° double

KSM-G007 固定夹 attaching clamp



玻璃隔断码 180°单面
Glass Clamp 180° single

KSM-G008 固定夹 attaching clamp



玻璃隔断码 180°双面
Glass Clamp 180° double

KSM-G015 固定夹 attaching clamp



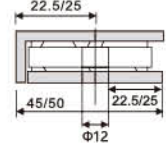
玻璃隔断码 180°单面
Glass Clamp 180° single

KSM-G016 固定夹 attaching clamp



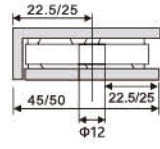
玻璃隔断码 180°双面
Glass Clamp 180° double

KSM-G017 固定夹 attaching clamp



玻璃隔断码 0°
Glass Clamp 0°

KSM-G018 固定夹 attaching clamp



玻璃隔断码 0°
Glass Clamp 0°

KSM-G025 0°



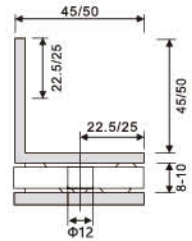
KSM-G025 90° 单边 90° single side



KSM-G025 90° 双边 90° bilateral

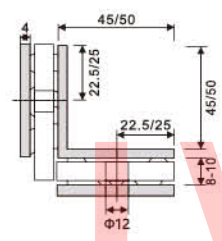


KSM-G019 固定夹 attaching clamp



玻璃隔断码 90° 单面
Glass Clamp 90° single

KSM-G020 固定夹 attaching clamp



玻璃隔断码 90° 双面
Glass Clamp 90° double

KSM-G026 135° 单边 135° single side



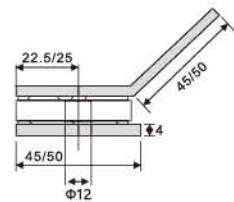
KSM-G027 135° 双边 135° bilateral



KSM-G028 180° 单边 180° single side

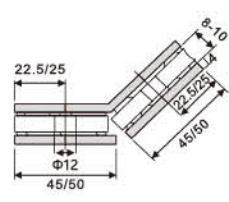


KSM-G021 固定夹 attaching clamp



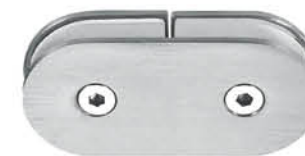
玻璃隔断码 135° 单面
Glass Clamp 135° single

KSM-G022 固定夹 attaching clamp



玻璃隔断码 135° 双面
Glass Clamp 135° double

KSM-G029 180° 双边 180° bilateral



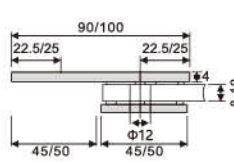
KSM-G030 T型 T-type



KSM-G031 0°

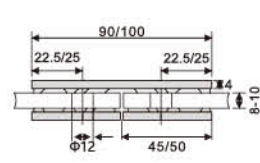


KSM-G023 固定夹 attaching clamp



玻璃隔断码 180° 单面
Glass Clamp 180° single

KSM-G024 固定夹 attaching clamp



玻璃隔断码 180° 双面
Glass Clamp 180° double

KSM-G032 90° 单边 90° single side



KSM-G033 90° 双边 90° bilateral



KSM-G034 135° 单边 135° single side

