



NUWEN THEATRE CHAIR CATALOGUE

NUWEN CO.,LTD

Add:Unit 1,no.187,Xiayang road,Hetang Town Pengjiang,
District,Jiangmen City,Guangdong ,Province, China.

✉ E-mail: nuwen.china.2020@gmail.com

☎ Mobile: +86-18680577977

☑ WeChat/Whats NWp: +86-18680577977



CONTENTS
目录

Auditorium series
礼堂椅系列 P001-036

Cinema Chair series
影院椅系列 P037-050

Desks and chair series
课桌椅系列 P051-056

Church Chair series
教堂椅系列 P057-058

Stadium seats series
场馆椅系列 P059-068

Auditorium Matching series
礼堂椅配套系列 P069-070



+86-18680577977



AUDLTIORIUM SERIES



NUWEN

做得专业·坐得满意
WE MAKE PROFESSIONALLY SEAT CONTENTLY



+86-18680577977



001

002

NUWEN

30-1-680577977



NUWEN

003

004

+86-1868057797

座垫：采用进口高密度环保聚氨酯定型海绵原料，冷发泡一体成型的优质海绵。海绵密度达 $65 \pm 5\text{kg/m}^3$ ，硬度达 60 ± 5 度
 背垫：采用进口高密度环保聚氨酯定型海绵原料，冷发泡一体成型的优质海绵。海绵密度达 $55 \pm 5\text{kg/m}^3$ ，硬度达 40 ± 5 度
 座/背外板：16mm厚优质高密度硬木多层曲木板材，经模具冷压精制而成，外贴高档榉木板，椅背装饰板上沿模压水滴造型，美观大方抗变形。附吸音孔装置，减轻噪音。外形线条根据人体学设计，科学、安全、健康。
 站脚（下送风）：采用2.0mm优质冷轧钢板液压成形，表面打磨抛光后，经酸洗除锈，碱洗除油防锈静电喷涂处理。按严格的工艺要求生产确保力学强度与耐久性符合国家的各项规定，制作工艺及质量要求：按照国家标准《金属家具通用技术条件》。
 实木扶手：配有外涂聚酯漆扶手框，美观大方，抗变形。与钢制骨架脚槽完美结合。

Seat sponge: High density PU, molded by cold foaming, no distortion for a long time. Density is $65 \pm 5\text{kg/m}^3$ and rigidity is 60 ± 5 degrees.
 Back sponge: High density PU, molded by cold foaming, no distortion for a long time. Density is $55 \pm 5\text{kg/m}^3$ and rigidity is 40 ± 5 degrees.
 Seat & Back cover: Premium deformation resistant high-density hard plywood of 16mm thickness. high standard treatment processes. Seat panel with sound-absorbing hole, shock resistance, anti-aging and anti-fade.
 Stand leg: Top quality 2.0mm steel after precise pressing and welding, and gone through procedures of polishing anti-rusting, phosphorization and powder coating. Armrest cover: Imported timber externally applied with polyester coating.
 Cushion recovery: Spring or damping returning mechanism.

NUWEN[®]
 NUWEN

NUWEN[®]
 NUWEN



+86-18680577977

座垫: 采用进口高密度环保聚氨酯定型海绵原料, 冷发泡一体成型的优质海绵。海绵密度达 $65 \pm 5\text{kg/m}^3$, 硬度达 60 ± 5 度
 背垫: 采用进口高密度环保聚氨酯定型海绵原料, 冷发泡一体成型的优质海绵。海绵密度达 $55 \pm 5\text{kg/m}^3$, 硬度达 40 ± 5 度
 座/背外板: 16mm厚优质高密度硬木多层曲木板材, 经模具冲压精制而成, 外贴高档榉木板, 椅背装饰板上沿模压水滴造型, 美观大方抗变形。附吸音孔装置, 减除噪音。外形线条根据人体学设计, 科学、安全、健康。
 站脚(下送风): 采用2.0mm优质冷轧钢板液压成形, 表面打磨抛光后, 经酸洗除锈, 碱洗除油防锈电喷涂处理。按严格的工艺要求生产确保力学强度与耐久性符合国家各项规定, 制作工艺及质量要求: 按照国家标准《金属家具通用技术条件》。
 实木扶手: 配有外涂聚酯漆扶手框, 美观大方, 抗变形。与钢制骨架脚槽完美结合。

Seat sponge: High density PU, molded by cold foaming, no distortion for a long time. Density is $65 \pm 5\text{kg/m}^3$ and rigidity is 60 ± 5 degrees.
 Back sponge: High density PU, molded by cold foaming, no distortion for a long time. Density is $55 \pm 5\text{kg/m}^3$ and rigidity is 40 ± 5 degrees.
 Seat & Back cover: Premium deformation resistant high-density hard plywood of 16mm thickness, high standard treatment processes. Seat panel with sound-absorbing hole, shock resistance, anti-aging and anti-fade.
 Stand leg: Top quality 2.0mm steel after precise pressing and welding, and gone through procedures of polishing anti-rusting, phosphorization and powder coating.
 Armrest cover: Imported timber externally applied with polyester coating.
 Cushion recovery: Spring or damping returning mechanism.

NW920-3067

适用场所 Sites Application:
 礼堂, 大型会议室, 歌剧院, 音乐厅等
 Auditorium, Conference Hall, Theatre, Concert Hall



NW960-3872



+86-18680577977



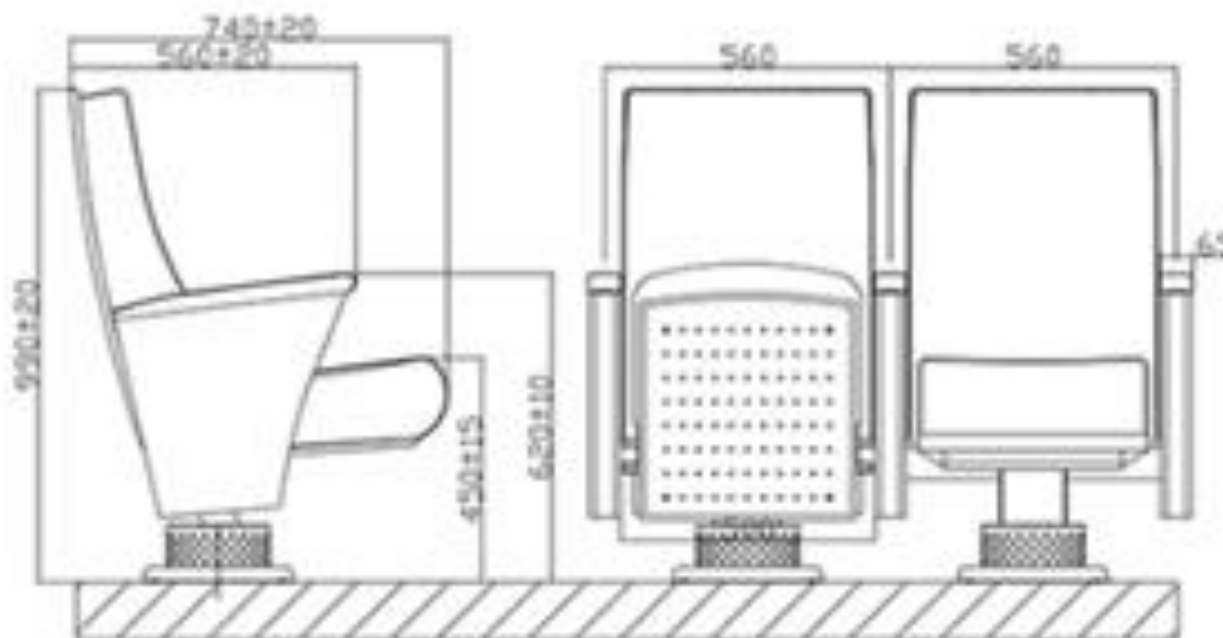
NUWEN

剧院椅

THEATER CHAIR

专业公共座椅生产厂家——尊贵雅典 胜誉品质
Professional Sports Manufacturer and services. NOBLE ATHENS VICTORY QUALITY

尊贵雅典、气势恢宏、一场艺术盛宴、悄然盛放
Honorable Athens, magnificent, an art feast, quietly filled



产品型号:AW950-3070(以上尺寸仅供参考,最终以实物为准)
Dimension of AW950-3070
The above dimension is for reference only,final in kind prevail
By SHENG-YU Designs Seating Co.



010

+86-18580071977



NW930-3189

座垫：采用进口高密度环保聚氨酯定型海绵原料，冷发泡一体成型的优质海绵。海绵密度达 $65 \pm 5\text{kg/m}^3$ ，硬度达 60 ± 5 度
 背垫：采用进口高密度环保聚氨酯定型海绵原料，冷发泡一体成型的优质海绵。海绵密度达 $55 \pm 5\text{kg/m}^3$ ，硬度达 40 ± 5 度
 座/背外板：16mm厚优质高密度硬木多层曲木板材，经模具冷压精制而成，外贴高档榉木板，椅背装饰板上沿模压水滴造型，美观大方抗变形。附吸音孔装置，减除噪音。
 外形线条根据人体学设计，科学、安全、健康。
 站脚（下送风）：采用2.0mm优质冷轧钢板液压成形，表面打磨抛光后，经酸洗除锈，碱洗除油防锈静电喷涂处理。按严格的工艺要求生产确保力学强度与耐久性符合国家的各项规定，制作工艺及质量要求：按照国家标准《金属家具通用技术条件》。
 扶手：采用铝合金一体压铸成型，表面打磨抛光后，经酸洗除锈，碱洗除油防锈静电喷涂处理。按严格的工艺要求生产确保力学强度与耐久性符合国家的各项规定，制作工艺及质量要求：按照国家标准《金属家具通用技术条件》实木扶手：配有外涂聚酯漆扶手框，美观大方，抗变形。与铝合金扶手完美结合。

Seat sponge: High density PU, molded by cold foaming, no distortion for a long time. Density is $65 \pm 5\text{kg/m}^3$ and rigidity is 60 ± 5 degrees.
 Back sponge: High density PU, molded by cold foaming, no distortion for a long time. Density is $55 \pm 5\text{kg/m}^3$ and rigidity is 40 ± 5 degrees.
 Seat & Back cover: Premium deformation resistant high-density hard plywood of 16mm thickness, high standard treatment processes. Seat panel with sound-absorbing hole, shock resistance, anti-aging and anti-fade.
 Stand leg: Top quality 2.0mm steel after precise pressing and welding, and gone through procedures of polishing anti-rusting, phosphorization and powder coating.
 Armrest: Aluminum alloy frame by die casting molding, by anti-oxidation surface spraying treatment, armrest cover is made of imported timber externally applied with polyester coating.
 Cushion recovery: Spring or damping returning mechanism.

NUWEN



NW900-3063

适用场所 Sites Applicable:
 礼堂、大型会议室、歌剧院、音乐厅等
 Auditorium, Conference Hall, Theatre, Concert Hall





座垫: 采用进口高密度环保聚氨酯定型海绵原料, 冷发泡一体成型的优质海绵。海绵密度达 $65 \pm 5\text{kg/m}^3$, 硬度达 60 ± 5 度
 背垫: 采用进口高密度环保聚氨酯定型海绵原料, 冷发泡一体成型的优质海绵。海绵密度达 $55 \pm 5\text{kg/m}^3$, 硬度达 40 ± 5 度
 座/背外板: 16mm厚优质高密度硬木多层曲木板材, 经模具冲压精制而成, 外贴高档榉木板, 椅背装饰板上沿模压水滴造型, 美观大方抗变形。附吸音孔装置, 减除噪音。外形线条根据人体学设计, 科学、安全、健康。
 站脚(下送风): 采用2.0mm优质冷轧钢板液压成形, 表面打磨抛光后, 经酸洗除锈, 碱洗除油防锈静电喷涂处理。按严格的工艺要求生产确保力学强度与耐久性符合国家的各项规定, 制作工艺及质量要求: 按照国家标准《金属家具通用技术条件》。
 扶手: 采用铝合金一体压铸成型, 表面打磨抛光后, 经酸洗除锈, 碱洗除油防锈静电喷涂处理。按严格的工艺要求生产确保力学强度与耐久性符合国家的各项规定, 制作工艺及质量要求: 按照国家标准《金属家具通用技术条件》实木扶手: 配有外涂聚酯漆扶手框, 美观大方, 抗变形。与铝合金扶手完美结合。

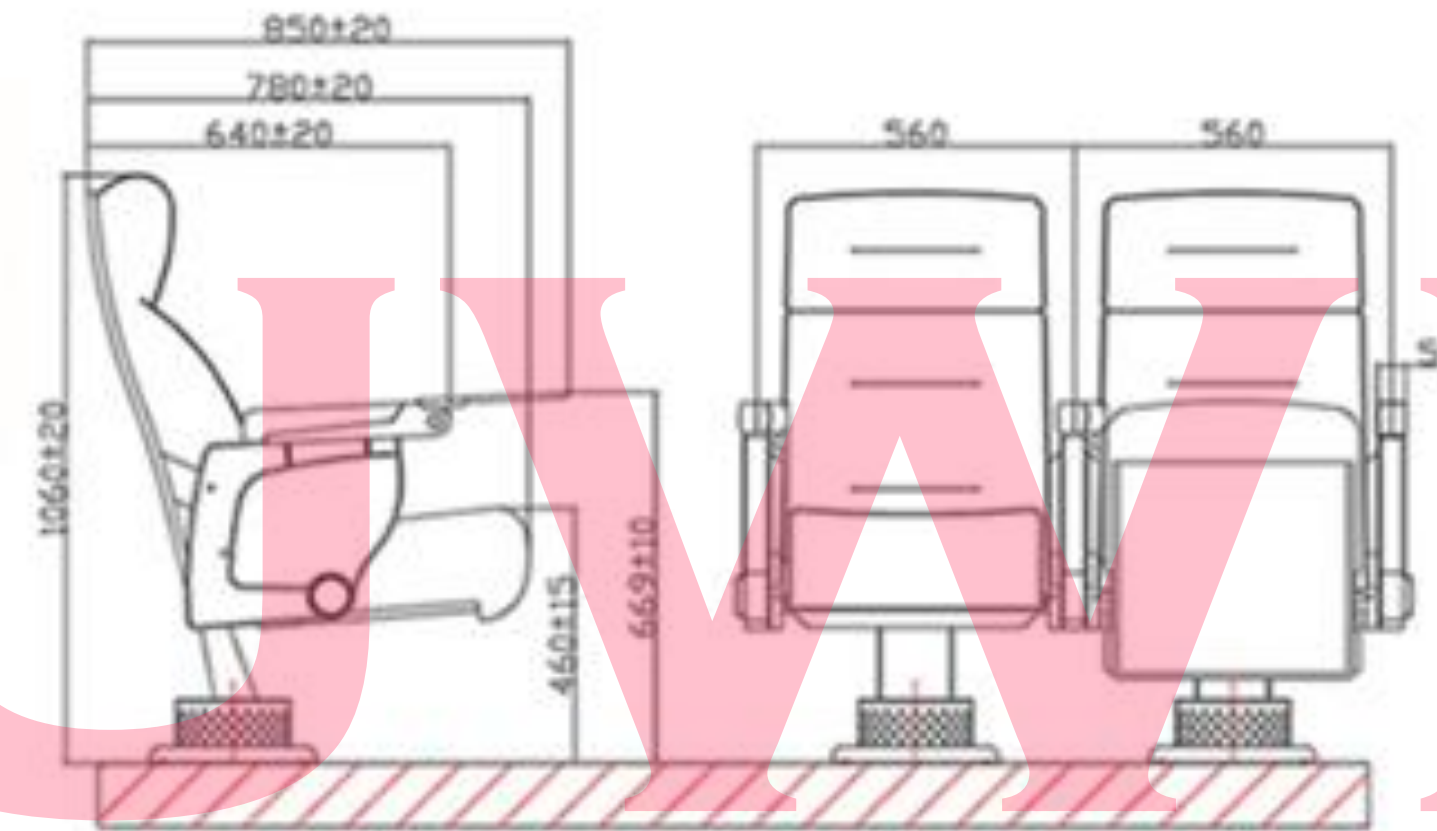
Seat sponge: High density PU, molded by cold foaming, no distortion for a long time. Density is $65 \pm 5\text{kg/m}^3$ and rigidity is 60 ± 5 degrees.
 Back sponge: High density PU, molded by cold foaming, no distortion for a long time. Density is $55 \pm 5\text{kg/m}^3$ and rigidity is 40 ± 5 degrees.
 Seat & Back cover: Premium deformation resistant high-density hard plywood of 16mm thickness. high standard treatment processes. Seat panel with sound-absorbing hole, shock resistance, anti-aging and anti-fade.
 Stand leg: Top quality 2.0mm steel after precise pressing and welding, and gone through procedures of polishing anti-rusting, phosphorization and powder coating.
 Armrest: Aluminum alloy frame by die casting molding, by anti-oxidation surface spraying treatment. armrest cover is made of imported timber externally applied with polyester coating.
 Cushion recovery: Spring or damping returning mechanism.

礼堂椅

AUDITORIUM CHAIR

尊贵雅典、气势恢宏、一场艺术盛宴、悄然盛放

Honorable Athens, magnificent, an art feast, quietly filled



产品型号: NW900-3166 (以上尺寸仅供参考, 最终以实物为准)
 Dimension of NW900-3166
 The above dimension is for reference only, final in kind prevail
 By SHENG-YU Designs Seating Co.





NW830-3066



NW830-3063



NW820-3066



剧院椅

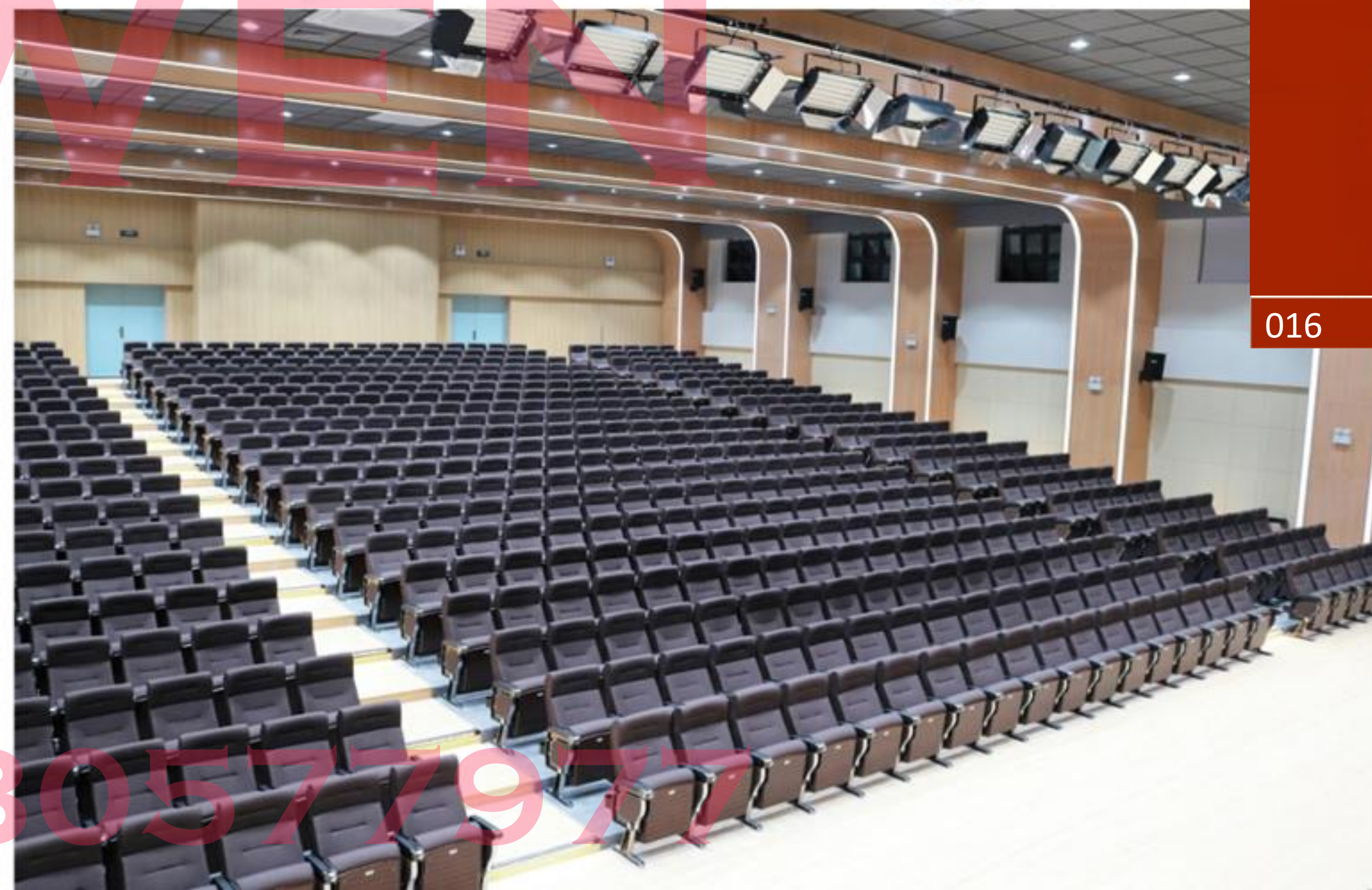
THEATER CHAIR

尊贵雅典、气势恢宏、一场艺术盛宴、悄然盛放
Honorable Athens, magnificent, an art feast, quietly filled



NW830-3075

适用范围 Sites Application:
礼堂、大型会议室、歌剧院、音乐厅等
Auditorium, Conference Hall, Theatre, Concert Hall



+86-18680577977

座绵: 采用进口高密度环保聚氨酯定型海绵原料, 冷固发泡一体成型的优质海绵。海绵密度达 $65 \pm 5\text{kg/m}^3$, 硬度达 60 ± 5 度

背绵: 采用进口高密度环保聚氨酯定型海绵原料, 冷固发泡一体成型的优质海绵。海绵密度达 $55 \pm 5\text{kg/m}^3$, 硬度达 40 ± 5 度

座/背外板: 16mm厚优质高密度硬木多层曲木板材, 经模具冷压精制而成, 外贴高档桦木板, 椅背装饰板上消模压木椅造型, 美观大方抗变形。附吸音孔装置, 减除噪音。外形线条根据人体学设计, 科学、安全、健康

扶手站脚: 配有进口夹板封面侧板, 钢制骨架。金属采用优质冷轧钢模具液压焊制成形, 表面打磨抛光后, 经酸洗除锈, 碱洗除油防锈静电喷涂处理。制作工艺及质量要求: 按照国家标准《金属家具通用技术条件》

Seat sponge: High density PU, molded by cold foaming, no distortion for a long time. Density is $65 \pm 5\text{kg/m}^3$ and rigidity is 60 ± 5 degrees.

Back sponge: High density PU, molded by cold foaming, no distortion for a long time. Density is $55 \pm 5\text{kg/m}^3$ and rigidity is 40 ± 5 degrees.

Seat & Back cover: Premium deformation resistant high-density hard plywood of 16mm thickness, high standard processes. Seat panel with sound-absorbing hole, shock resistance, anti-aging and anti-fade.

Top quality steel after precise pressing and welding, and gone through procedures of polishing, phosphorization and powder coating.



专业公共座椅生产厂家——尊贵雅典 胜誉品质
Professional Sports Furniture and service. NOBLE ATHENS VICTORY QUALITY

AUDITORIUM CHAIR

尊贵雅典、气势恢宏、一场艺术盛宴、悄然绽放
Honorable Athens, magnificent, an art feast, quietly filled

017



018



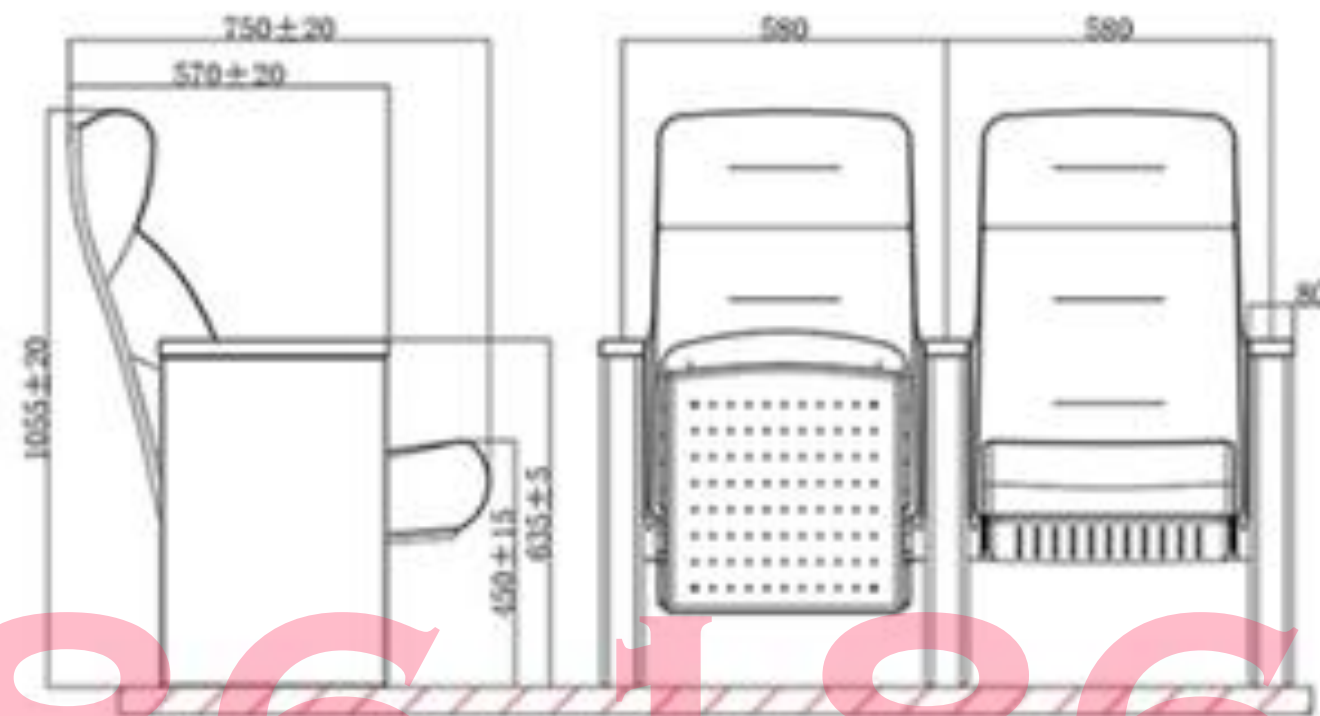
+86-18650577977



NW780-3368



NW760-3066



产品型号: NW760-3066 (以上尺寸仅供参考, 最终以实物为准)
Dimension of NW760-3066
The above dimension is for reference only, final in kind product. By NW-11 Design Seating Co.

+86-1868-0577977



NUWEN

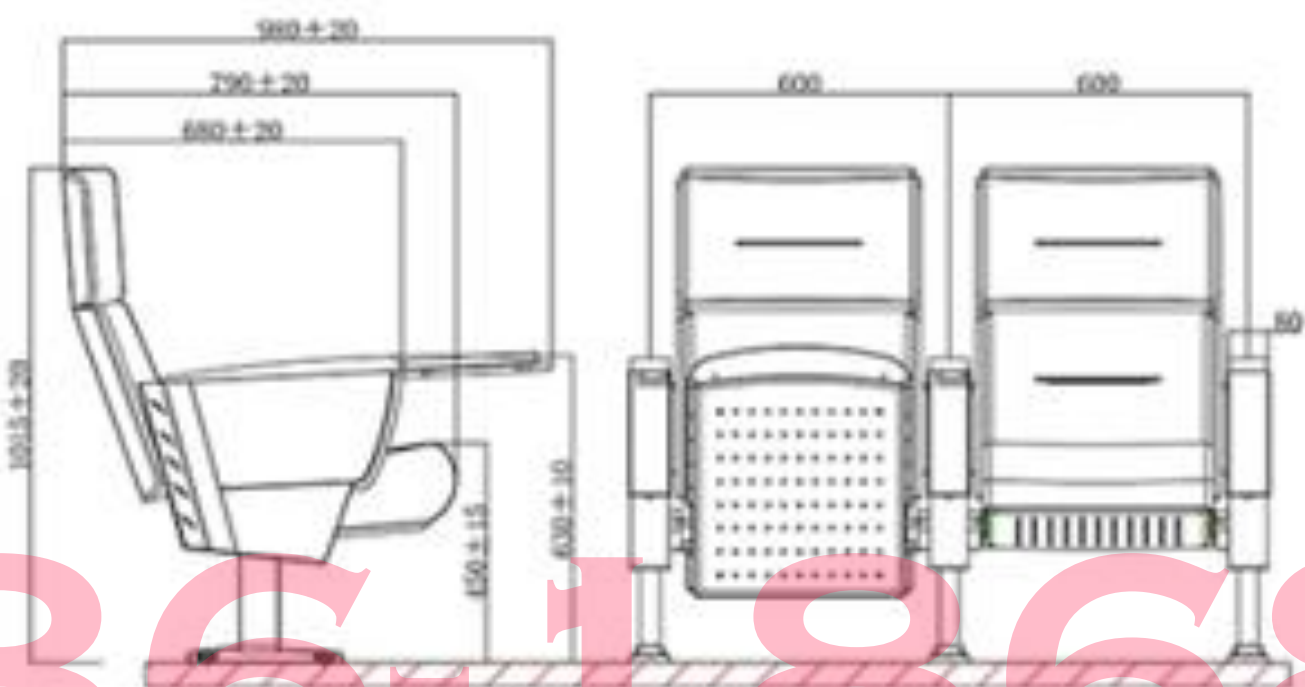
021



剧院椅

THEATER CHAIR

尊贵雅典、气势恢宏、一场艺术盛宴、悄然盛放
Honorable Athens, magnificent, an art feast, quietly filled



+86-18680577977

022





NW710-3060



NW710-3064



NW710-3062



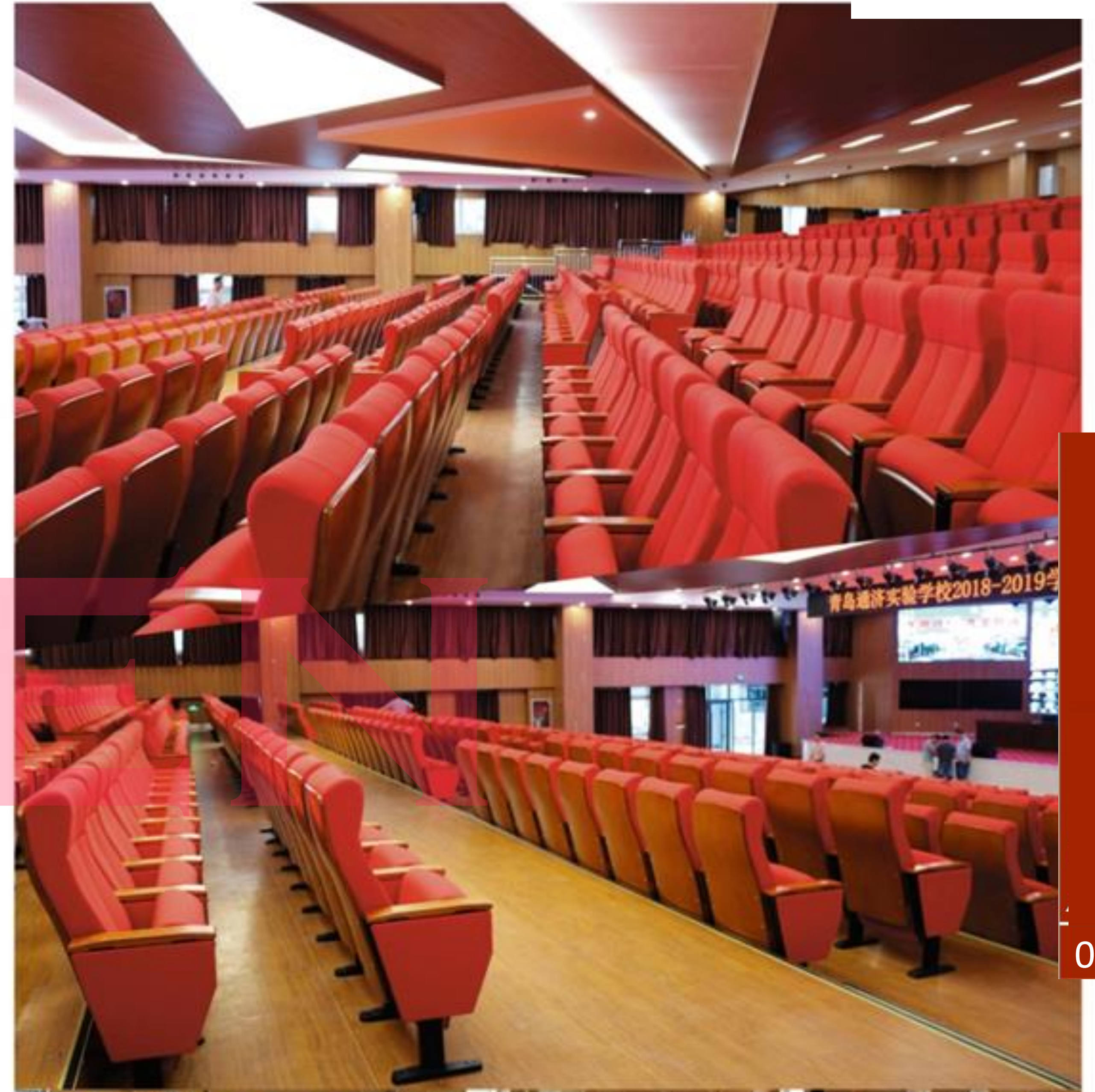
NW710-3165



NW710-3063



NW710-3163



NWEN

+86-18680577977



NW700-1010



NW710-1011



NW710-1010



NW710-1012



NW710-1010

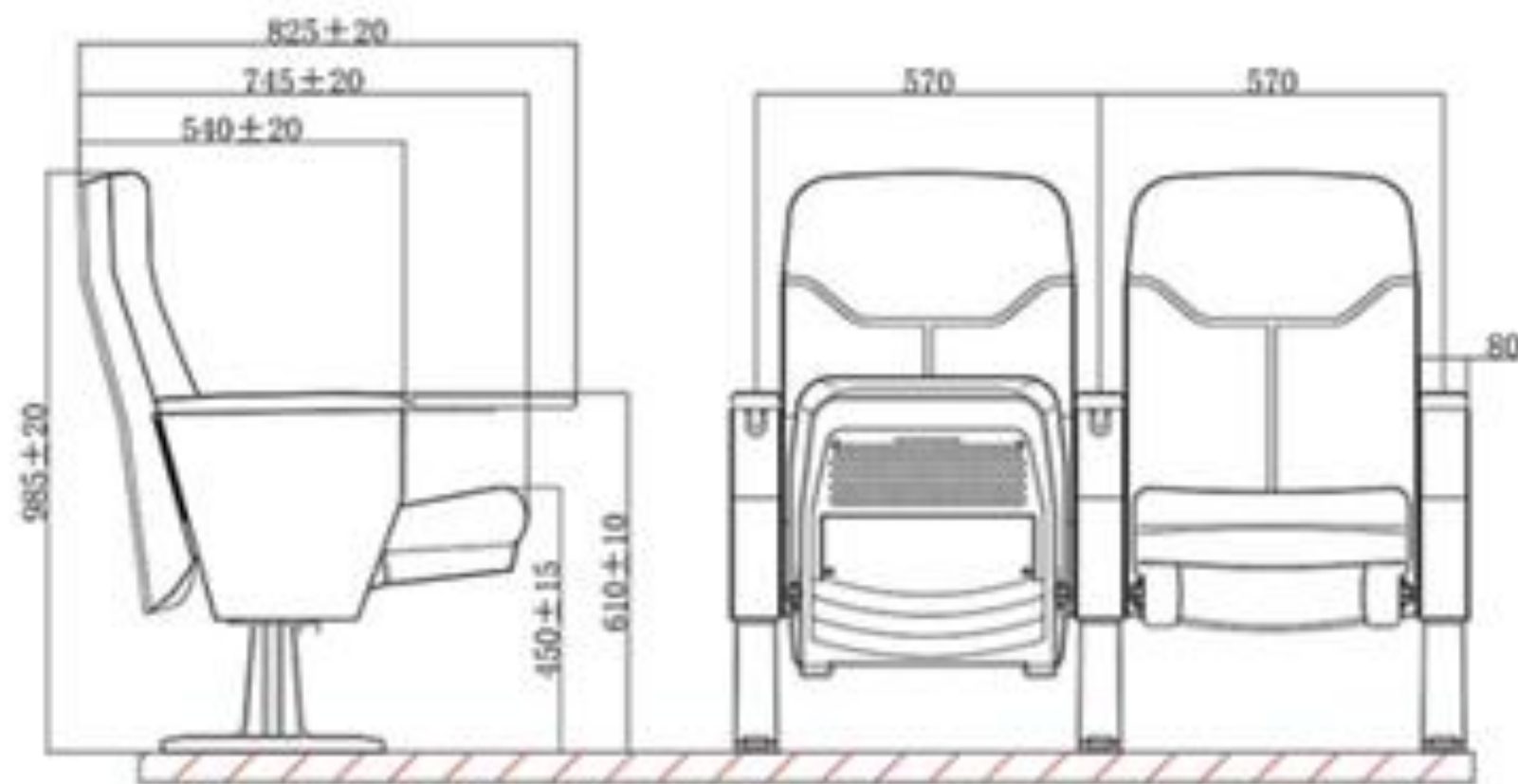


NW710-1013



NWEN

+86-1868057777



产品型号:AS720-1010(以上尺寸仅供参考,最终以实物为准)
Dimension of AS720-1010
The above dimension is for reference only,final in kind prevail By SHEG-YU Designs Seating Co.



NW720-1010



NW600-4346

适用场所 Sites Applicable:
礼堂、大型会议室、剧院、音乐厅等
Auditorium, Conference Hall, Theatre, Concert Hall



AH600-4245

适用场所 Sites Applicable:
礼堂、大型会议室、剧院、音乐厅等
Auditorium, Conference Hall, Theatre, Concert Hall

NUWEN



NW720-1012





029

030

+86-18680577977



NW650-4352

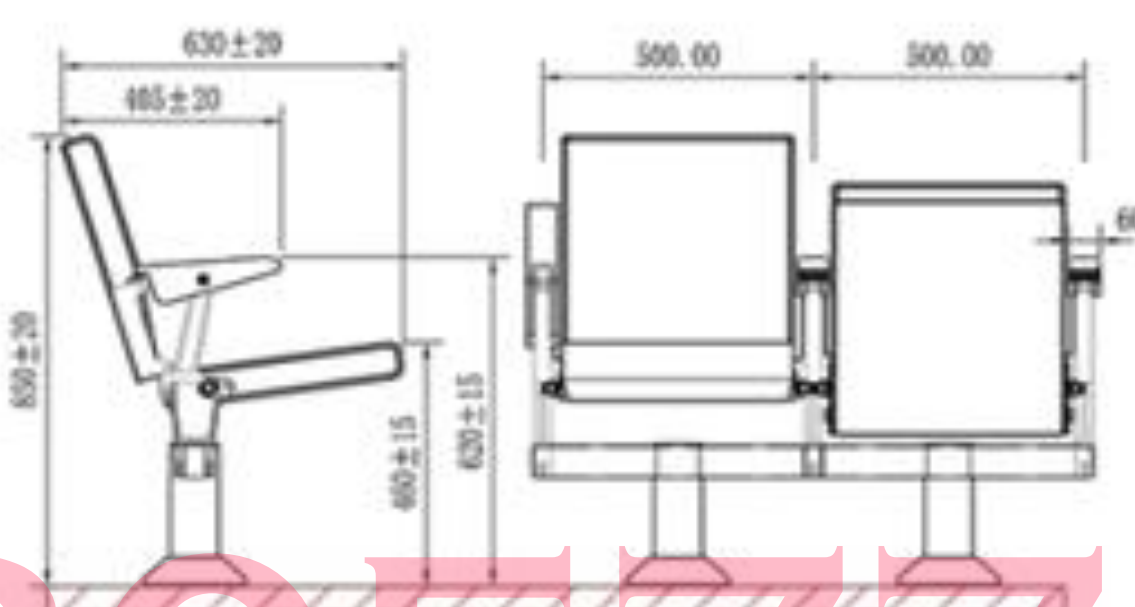


NW650-4356



NW650-4350

+86-18680577577

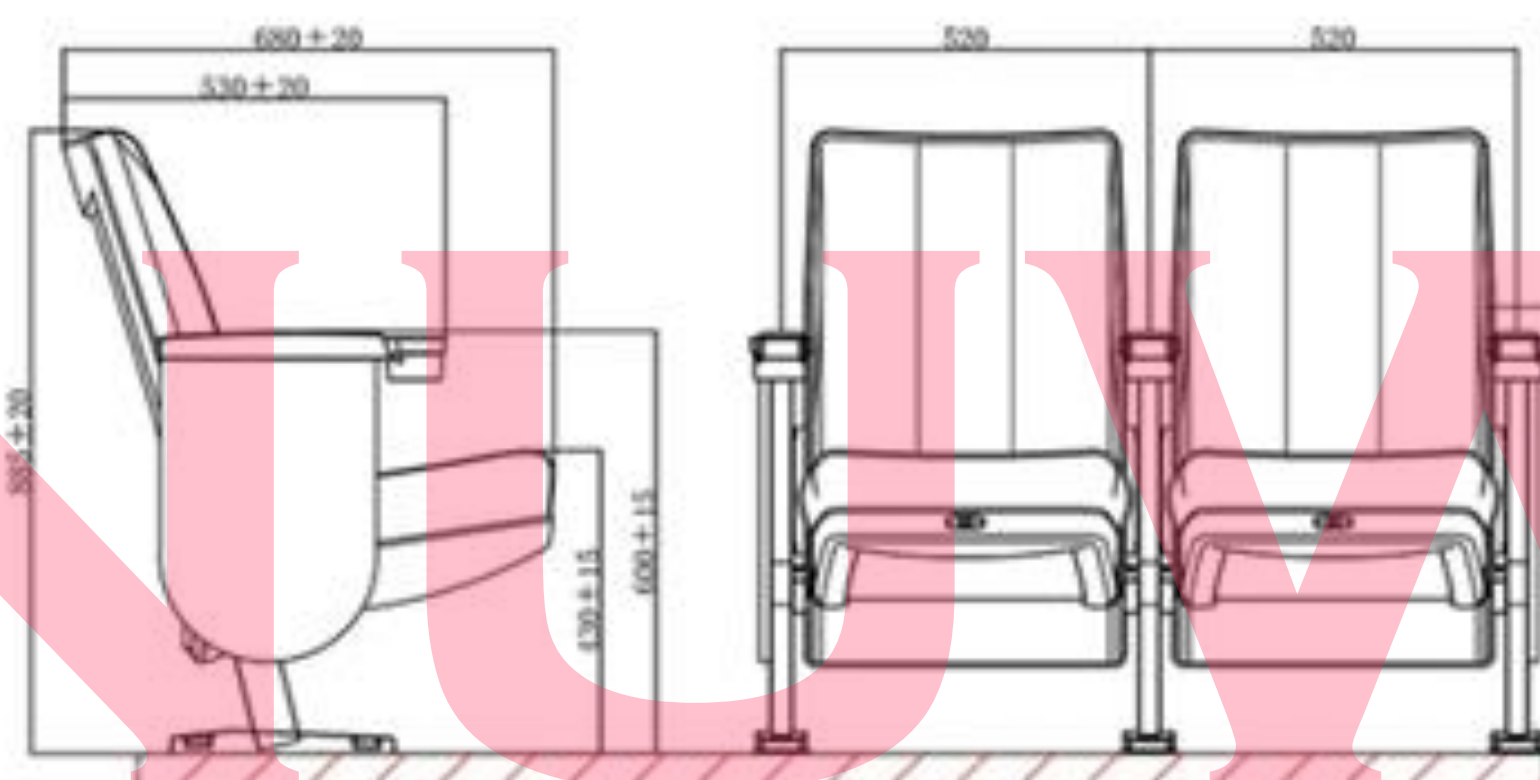


座垫: 采用进口高密度环保聚氨酯定型海绵原料, 冷发泡一体成型的优质海绵。海绵密度达 $65 \pm 5\text{kg/m}^3$, 硬度达 60 ± 5 度
 背椅: 采用进口高密度环保聚氨酯定型海绵原料, 冷发泡一体成型的优质海绵。海绵密度达 $55 \pm 5\text{kg/m}^3$, 硬度达 40 ± 5 度
 站脚: 采用优质冷轧钢高碳钢油压焊制成形, 表面打磨抛光后, 经酸洗除锈, 碱洗除油防锈静电喷涂处理。按严格的工艺要求生产确保力学强度与耐久性符合国家的各项规定, 制作工艺及质量要求: 按照国家标准《金属家具通用技术条件》
 扶手盖: 采用优质进口原木, 外涂聚酯漆精工制作, 美观大方。
 Seat sponge: High density PU, molded by cold foaming, no distortion for a long time. Density is $65 \pm 5\text{kg/m}^3$ and rigidity is 60 ± 5 degrees.
 Back sponge: High density PU, molded by cold foaming, no distortion for a long time. Density is $55 \pm 5\text{kg/m}^3$ and rigidity is 40 ± 5 degrees.
 Stand leg: Top quality 2.0mm steel after precise pressing and welding, and gone through procedures of polishing anti-rusting, phosphorization and powder coating.
 Armrest cover: Imported timber externally applied with polyester coating.
 Cushion recovery: Gravity or damping returning mechanism.

产品型号: NW60-1300 以上尺寸仅供参考, 最终以实物为准
Dimension of NW60-1300
The above dimension is for reference only, final is kind present by NUGEN Design Seating Co.



NW620-1519



产品型号:AS620-1519(以上尺寸仅供参考,最终以实物为准)
Dimension of AS620-1519
The above dimension is for reference only, final in kind prevail by SHEG-YU Designs Seating Co.



NW600-4345



NW600-4345

NW610-4345



座垫: 采用进口高密度环保聚氨酯定型海绵原料, 冷发泡一体成型的优质海绵。海绵密度达 $65 \pm 5\text{kg/m}^3$, 硬度达 60 ± 5 度
 背垫: 采用进口高密度环保聚氨酯定型海绵原料, 冷发泡一体成型的优质海绵。海绵密度达 $55 \pm 5\text{kg/m}^3$, 硬度达 40 ± 5 度
 座/背外板: 16mm厚优质高密度硬木多层曲木板材, 经模具冲压精制而成, 外贴高档桦木板, 椅背装饰板上沿模压水滴造型, 美观大方抗变形。附吸音孔装置, 减轻噪音。外形线条根据人体学设计, 科学、安全、健康。
 站脚: 采用优质冷轧钢高碳钢油压焊制成形, 表面打磨抛光后, 经酸洗除锈, 碱洗除油防锈静电喷涂处理。按严格的工艺要求生产确保力学强度与耐久性符合国家的各项规定, 制作工艺及质量要求; 按照国家标准《金属家具通用技术条件》
 扶手盖: 采用优质进口原木, 外涂聚酯漆精工制作, 美观大方。

Seat sponge: High density PU, molded by cold foaming, no distortion for a long time. Density is $65 \pm 5\text{kg/m}^3$ and rigidity is 60 ± 5 degrees.

Back sponge: High density PU, molded by cold foaming, no distortion for a long time. Density is $55 \pm 5\text{kg/m}^3$ and rigidity is 40 ± 5 degrees.

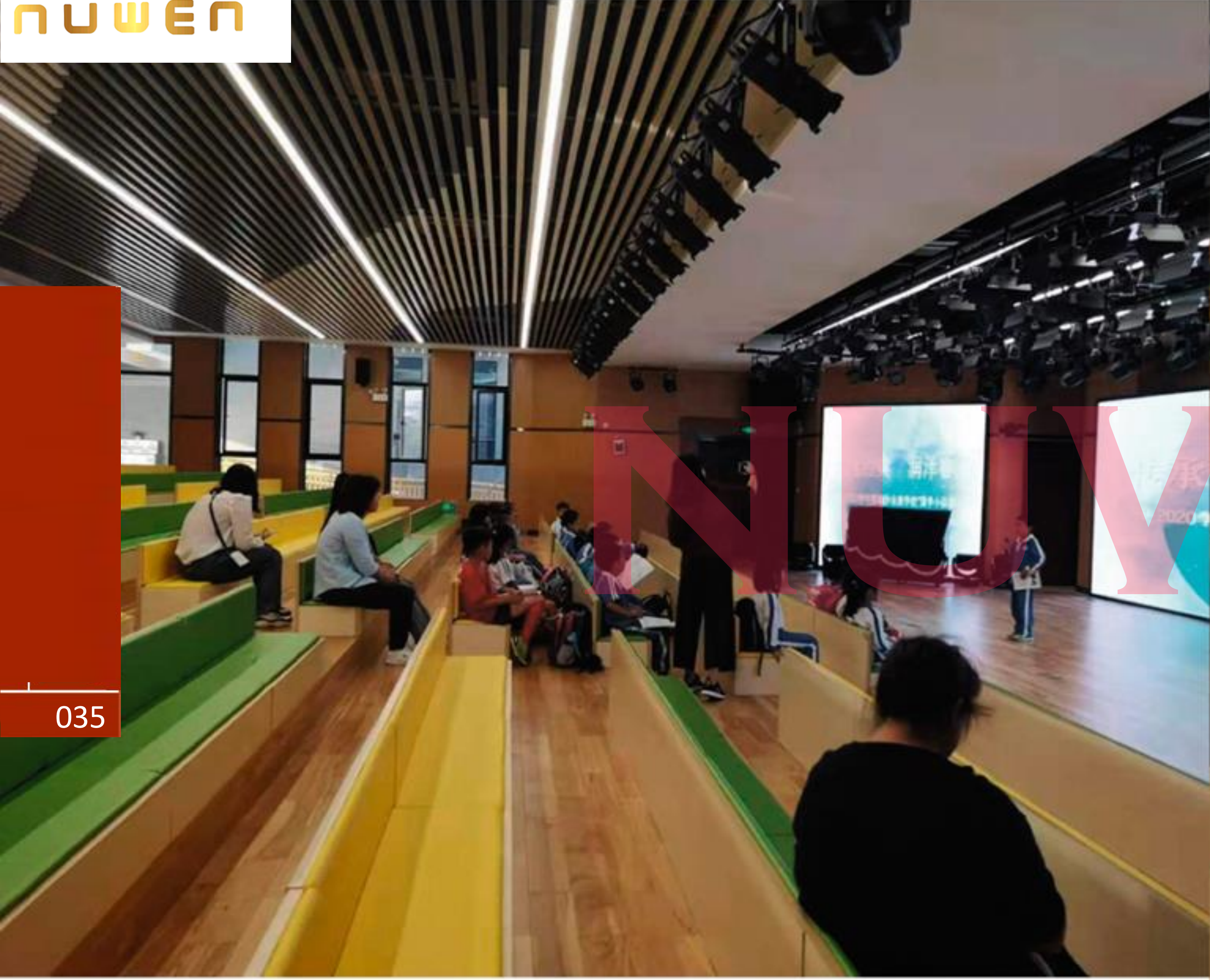
Seat & Back cover: Premium deformation resistant high-density hard plywood of 16mm thickness. high standard treatment processes.

Stand leg: Top quality 2.0mm steel after precise pressing and welding, and gone through procedures of polishing anti-rusting, phosphorization and powder coating.

Armrest cover: Imported timber externally applied with polyester coating.

Cushion recovery: Gravity or damping returning mechanism.

+86-18680577977



+86-18680577977

CINEMA CHAIR SERIES
影院椅系列

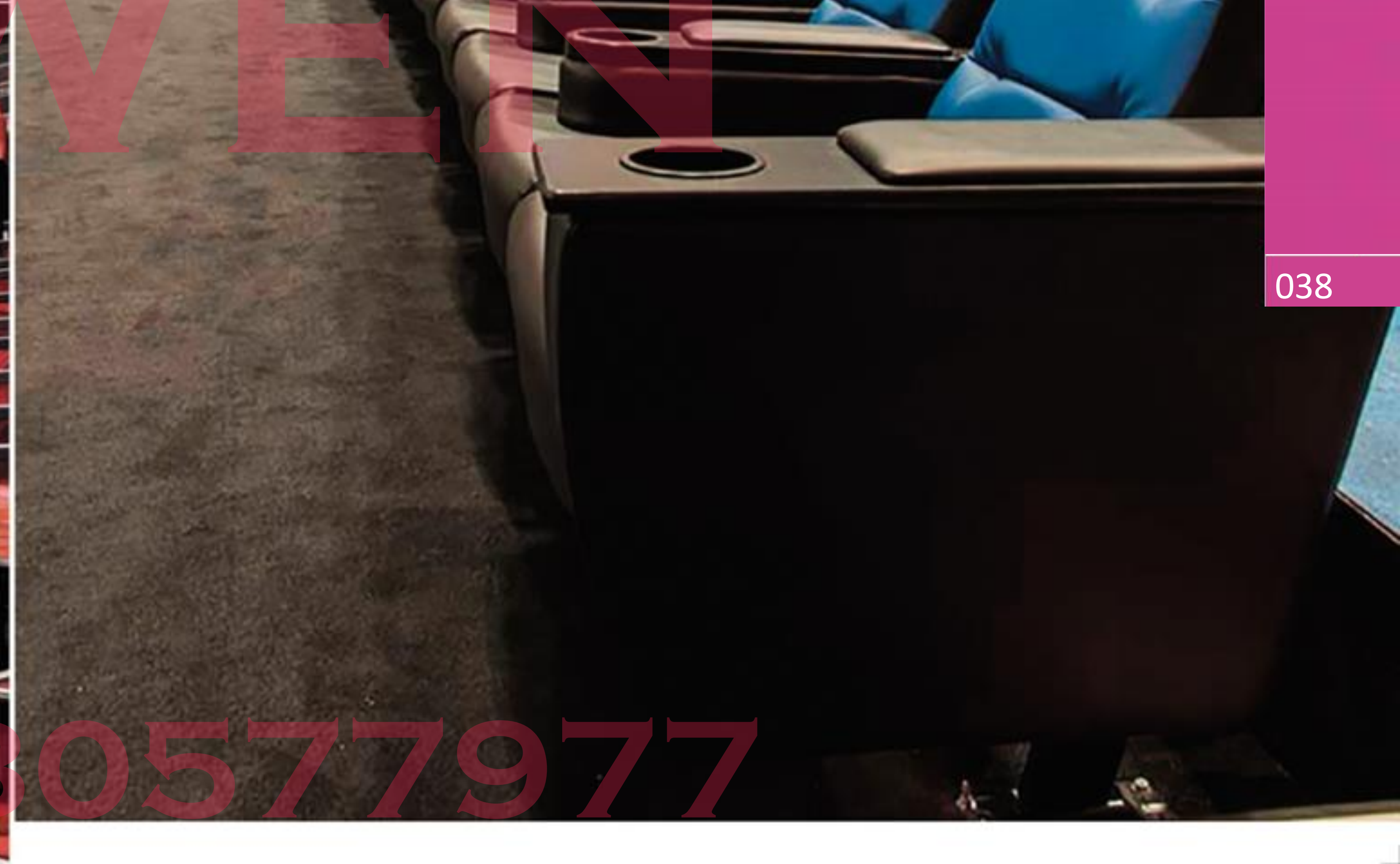
NUWEN[®]
NUWEN

NUWEN

做得专业·坐得满意
WE MAKE PROFESSIONALLY SEAT CONTENTLY



+86-18680577977



030
037

038

+86-18680577977

NUWEN



NUWEN

039



040



+86-1868-0577977



适用场所 Sites Application:
礼堂、大型会议室、剧院、音乐厅等
Auditorium, Conference Hall, Theatre, Concert Hall



041

042

座绵: 采用进口高密度环保聚氨酯定型海绵原料, 冷发泡一体成型的优质海绵。海绵密度达 $65 \pm 5\text{kg/m}^3$, 硬度达 60 ± 5 度
背绵: 采用进口高密度环保聚氨酯定型海绵原料, 冷发泡一体成型的优质海绵。海绵密度达 $55 \pm 5\text{kg/m}^3$, 硬度达 40 ± 5 度
座/背壳: 二元聚丙烯乙稀共聚物(PP)多元复合材料注塑成形, 抗冲击、抗变形、防老化、防褪色, 耐冲击磨损并有效保证座椅的坚实度。附吸音孔装置, 减轻噪音。外形线条根据人体学设计, 科学、安全、健康。
站脚(下送风): 采用2.0mm优质冷轧钢板冲压成形, 表面打磨抛光后, 经酸洗除锈, 碱洗除油防锈静电喷涂处理。按严格的工艺要求生产确保力学强度与耐久性符合国家的各项规定, 制作工艺及质量要求: 按照国家标准《金属家具通用技术条件》。
扶手盖: 二元聚丙烯乙稀共聚物(PP)注塑成型。扶手面宽大并带有大杯架。与钢制骨架脚槽完美结合, 金属采用优质冷轧钢模具液压焊制成形, 表面打磨抛光后, 防锈静电喷涂处理。制作工艺及质量要求: 按照国家标准《金属家具通用技术条件》

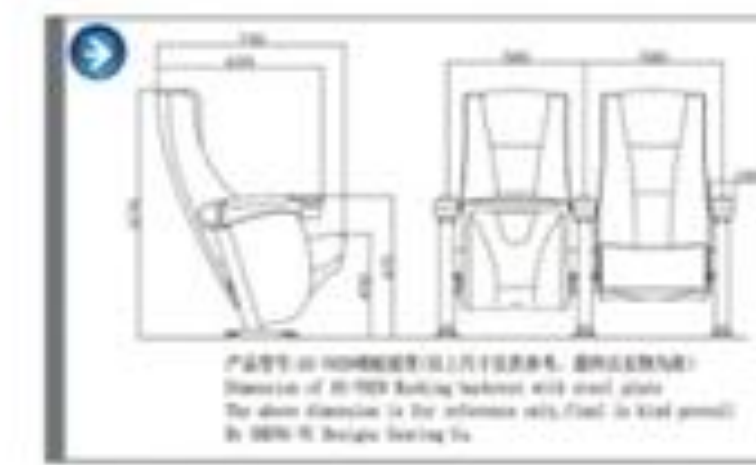
Seat & Back sponge: High density PU, molded by cold foaming, no distortion for a long time. Density is $65 \pm 5\text{kg/m}^3$ and 60 ± 5 degrees.
Seat & Back shell cover: High quality injection molded with multiple composite material (PP), anti-impact, anti-aging.
Metal leg: Top quality 2.0mm steel after precise pressing and welding, and gone through procedures of polishing anti-rusting, phosphing, spraying and powder coating.
Armrest: Plastic armrest with integrated cupholder.
Cushion recovery: Fixed cushion.

+86-18680577977



NUWEN

适用场所 Sites Applicable:
礼堂、大型会议室、剧院、音乐厅等
Auditorium, Conference Hall, Theatre, Concert Hall



座垫：采用进口高密度环保聚氨酯定型海绵原料，冷固发泡一体成型的优质海绵。海绵密度达 $65 \pm 5\text{kg/m}^3$ ，硬度达 60 ± 5 度
 背垫：采用进口高密度环保聚氨酯定型海绵原料，冷固发泡一体成型的优质海绵。海绵密度达 $55 \pm 5\text{kg/m}^3$ ，硬度达 40 ± 5 度
 座/背壳：二元聚丙烯乙烯共聚物(PP)多元复合复合材料注塑成形，抗冲击、抗变形、防老化、防褪色，耐冲击磨损并有效保证座椅的坚实度。附吸音孔装置，减除噪音。外形线条根据人体学设计，科学、安全、健康。
 站脚：采用2.0mm优质冷轧钢板液压成形，表面打磨抛光后，经酸洗除锈，碱洗除油防锈静电喷涂处理。按严格的工艺要求生产确保力学强度与耐久性符合国家的各项规定，制作工艺及质量要求：按照国家标准《金属家具通用技术条件》。
 扶手盖：二元聚丙烯乙烯共聚物(PP)注塑成型。扶手面宽大并带有大杯架。与钢制骨架脚槽完美结合，金属采用优质冷轧钢模具液压压铸成形，表面打磨抛光后，防锈静电喷涂处理。制作工艺及质量要求：按照国家标准《金属家具通用技术条件》

Seat & Back sponge: High density PU, molded by cold foaming, no distortion for a long time. Density is $65 \pm 5\text{kg/m}^3$ and 60 ± 5 degrees.
 Seat & Back shell cover: High quality injection molded with multiple composite material (PP), anti-impact, anti-aging.
 Metal leg: Top quality 2.0mm steel after precise pressing and welding, and gone through procedures of polishing anti-rusting, phosphing, spraying and powder coating.
 Armrest: Plastic armrest with integrated cupholder is active, can be folding up and down.
 Cushion recovery: Spring returning mechanism.

+86 3630577977



NW500-1011



NWEN



NW510-1828



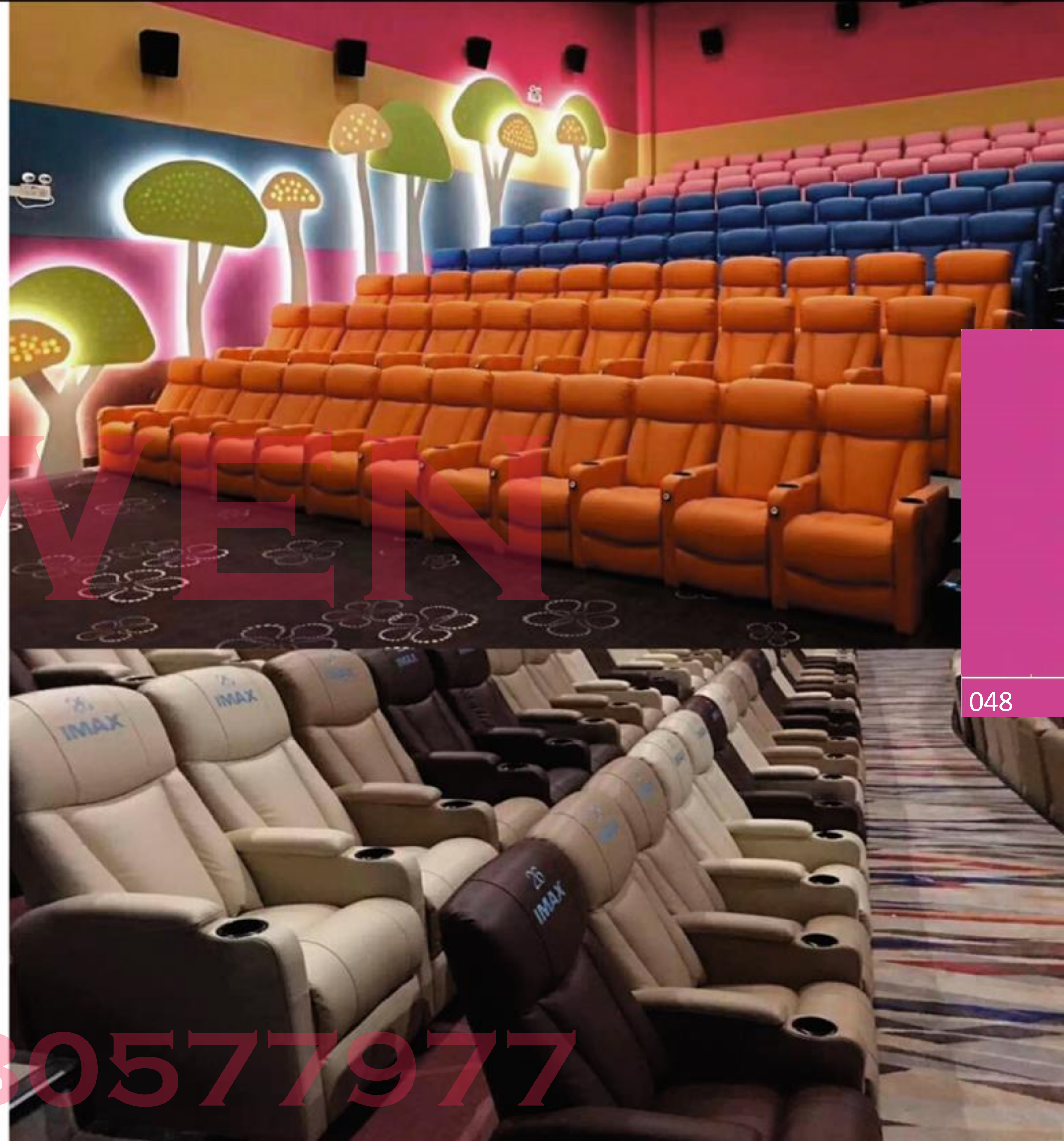
+86-18680577977



ЛУС®
НУШЕН

НУШЕН

+86-18680577977





049

050

AX-041



+86-18680577977

DESKSANDCHAIR SERIES

课桌椅系列

高效学习的空间，需要高度的专注与投入，所对应的家具也应在满足实用功能的基础上寻求高度的简洁外形。在胜誉的优质设计里，学习家具省去一切不必要的装饰，以坚固的钢筋铁骨给你学习中以绝对的安心，符合人体生理曲线简约座板和背板，让你坐得舒适的同时，也有利于保持身心处于最佳学习状态。结合实用的重力自动折叠座板设计搭配后背折叠书写板，每一细节都体现无与伦比的学习座椅体验。

The space for efficient study should be made with concentration and dedication. The furniture of it should seek for neat appearance on the basis of practical functions. With the fine design of SY, the study furniture has removed unnecessary decorations. It makes you feel at ease in your study with its steady metal frame. Besides comfortable sitting feeling, the simple seat board and back board that accord with ergonomics curves keep you in best studying condition both physically and mentally. The gravity automatic folding seat board and the folding writing back board matches with each other, each detail shows supreme experience of studying.



做得专业·坐得满意
WE MAKE PROFESSIONALLY SEAT CONTENTLY

+86-18680577977

NW421-4233

适用场所 Sites Applicable:
礼堂、大型会议室、剧院、音乐厅等
Auditorium, Conference Hall, Theatre, Concert Hall



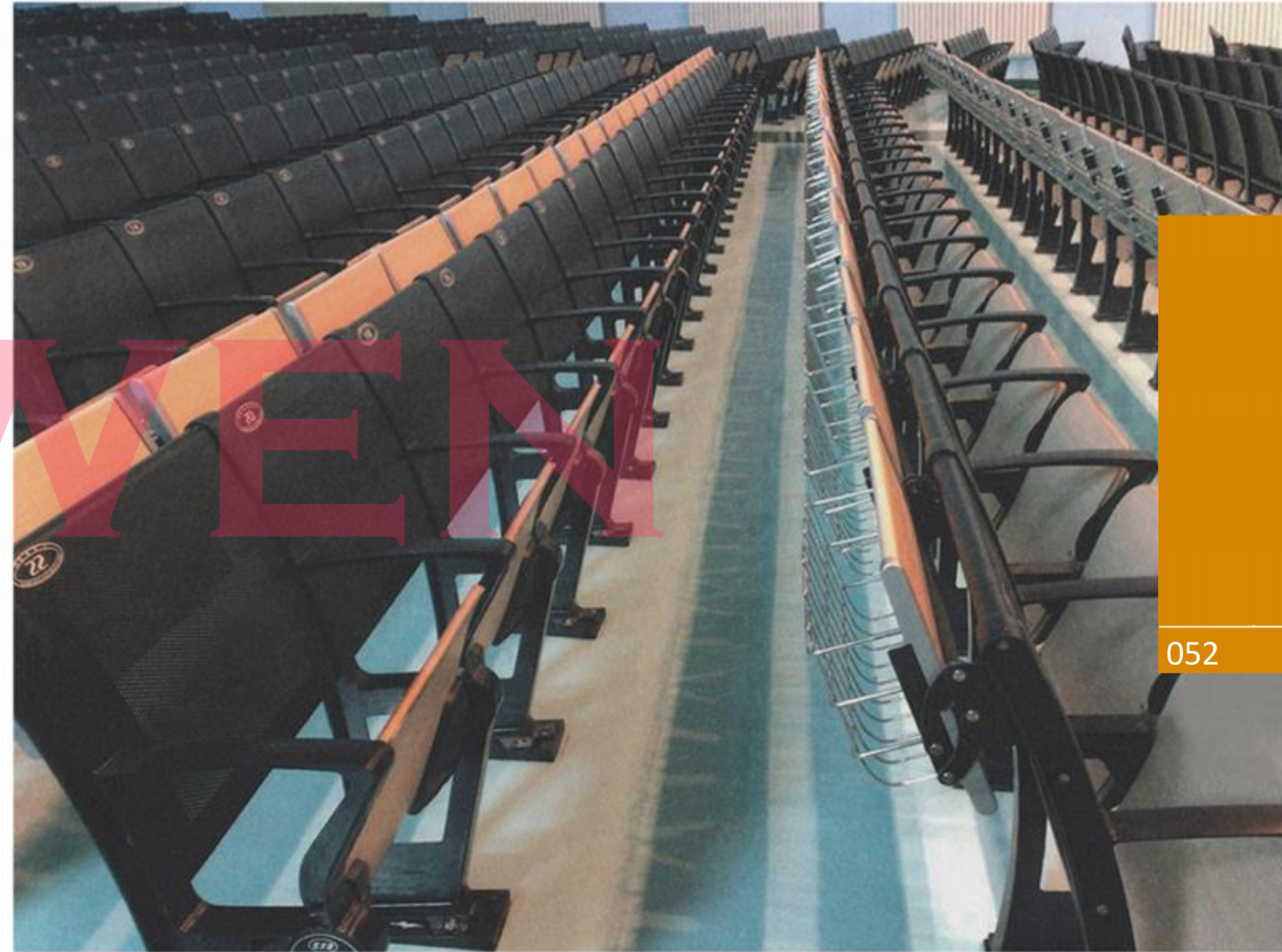
NW421-4232

适用场所 Sites Applicable:
礼堂、大型会议室、剧院、音乐厅等
Auditorium, Conference Hall, Theatre, Concert Hall



NW421-4335

适用场所 Sites Applicable:
礼堂、大型会议室、剧院、音乐厅等
Auditorium, Conference Hall, Theatre, Concert Hall





NW451-4336

适用场所 Sites Applicable:
礼堂、大型会议室、歌剧院、音乐厅等
Auditorium, Conference Hall, Theatre, Concert Hall



NW431-4335

适用场所 Sites Applicable:
礼堂、大型会议室、歌剧院、音乐厅等
Auditorium, Conference Hall, Theatre, Concert Hall



NUWEN

+86-18680577977



AK-E210

适用场所 Sites Applicable:
礼堂、大型会议室、剧院、音乐厅等
Auditorium, Conference Hall, Theatre, Concert Hall



AK-E219

适用场所 Sites Applicable:
礼堂、大型会议室、剧院、音乐厅等
Auditorium, Conference Hall, Theatre, Concert Hall



AK-E218

适用场所 Sites Applicable:
礼堂、大型会议室、剧院、音乐厅等
Auditorium, Conference Hall, Theatre, Concert Hall



AK-E220

适用场所 Sites Applicable:
礼堂、大型会议室、剧院、音乐厅等
Auditorium, Conference Hall, Theatre, Concert Hall



AK-E216

适用场所 Sites Applicable:
礼堂、大型会议室、剧院、音乐厅等
Auditorium, Conference Hall, Theatre, Concert Hall

+86-18680577977



NUWEN

057

058



+86-18680577977

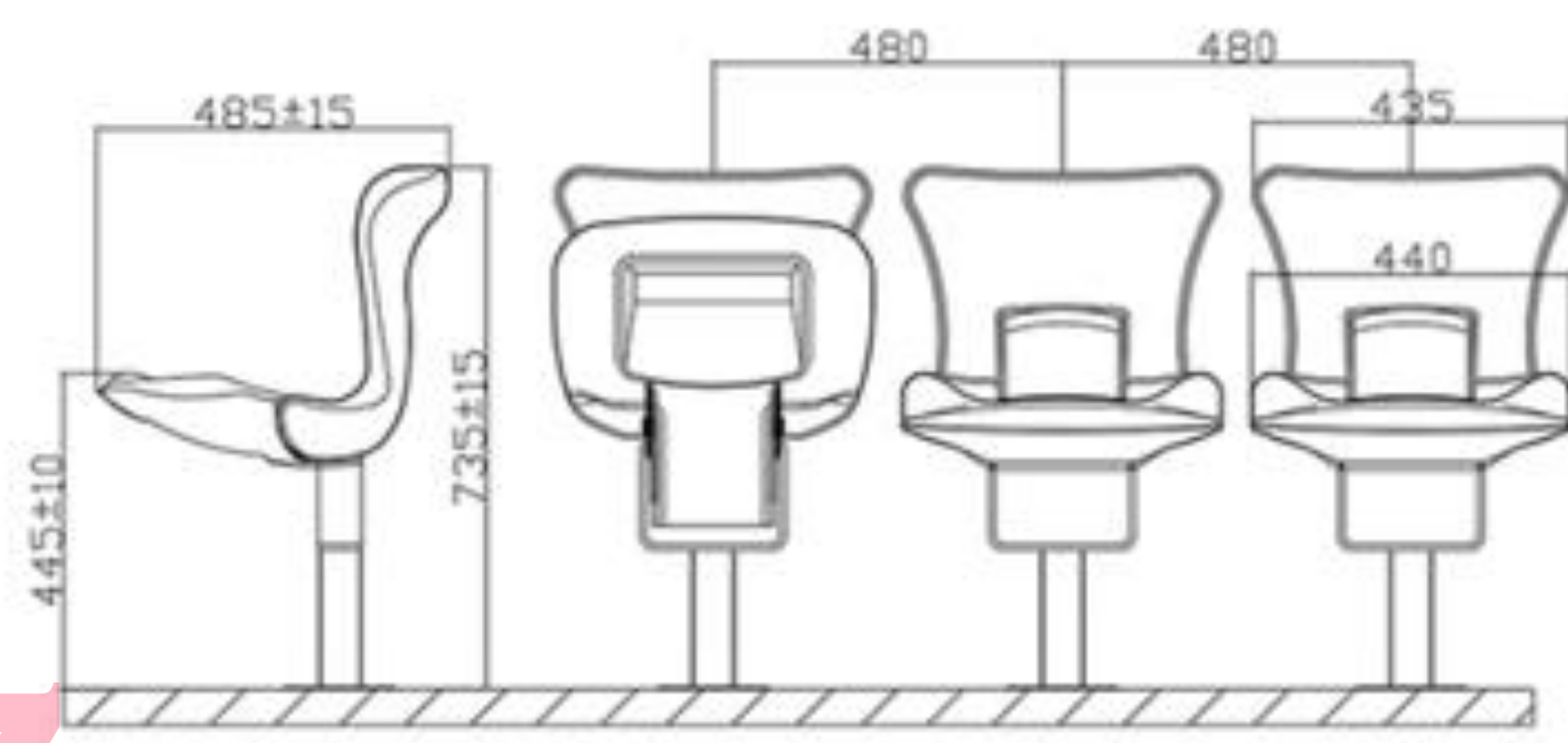
STADIUMSEATS SERIES



NUWEN



+86-18680577977



产品型号:VP260-6002(以上尺寸仅供参考,最终以实物为准)
Dimension of VP260-6002
The above dimension is for reference only,final in kind prevail
By SHENG-YU Designs Seating Co.

059

060

+86-18680577977



NW290-8020



NW280-8020

NUWEN



061



NW290-8010

+86-18680577977

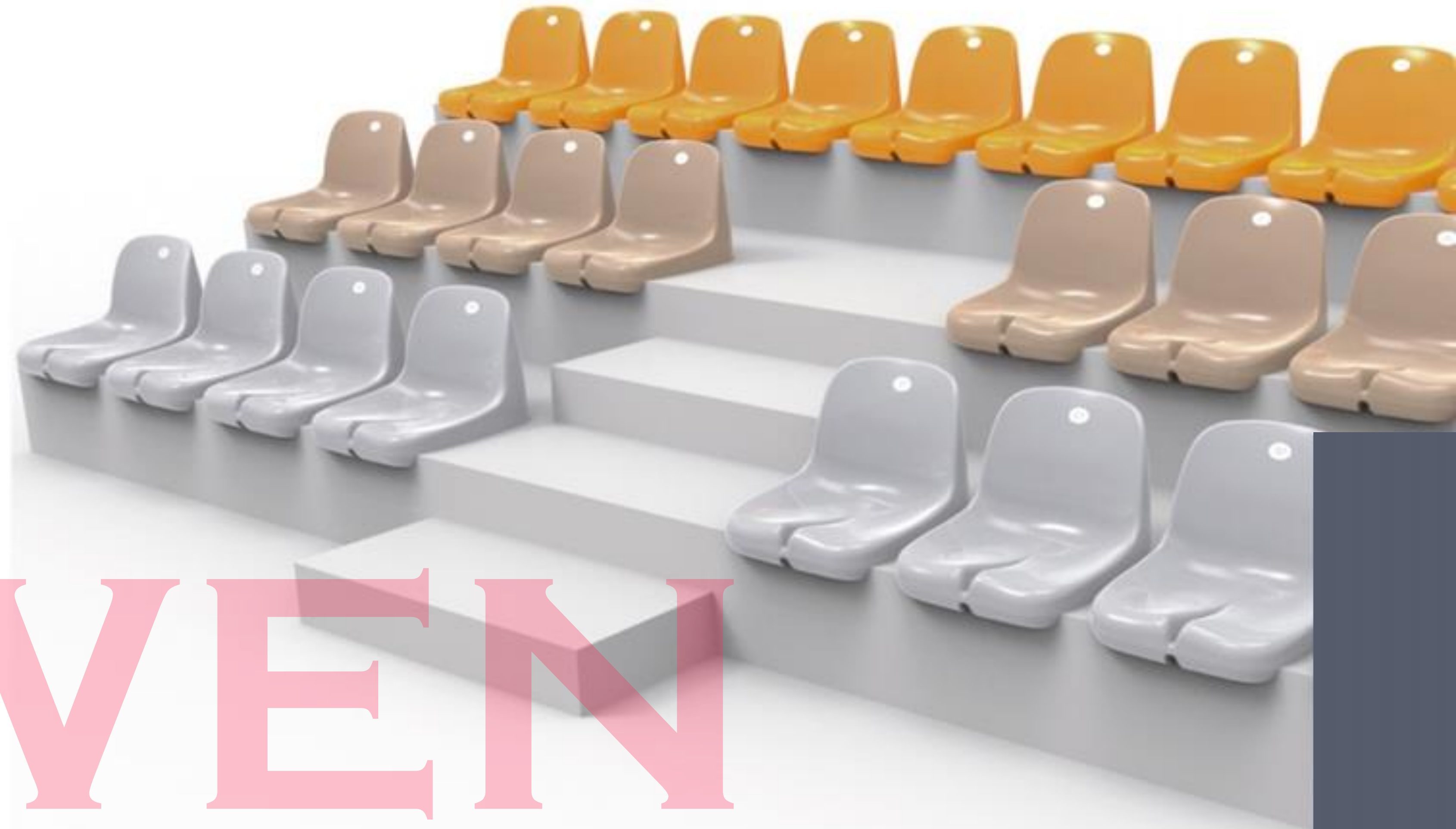


062





NW220-3002



NUWEN

063



NW200-1002

064

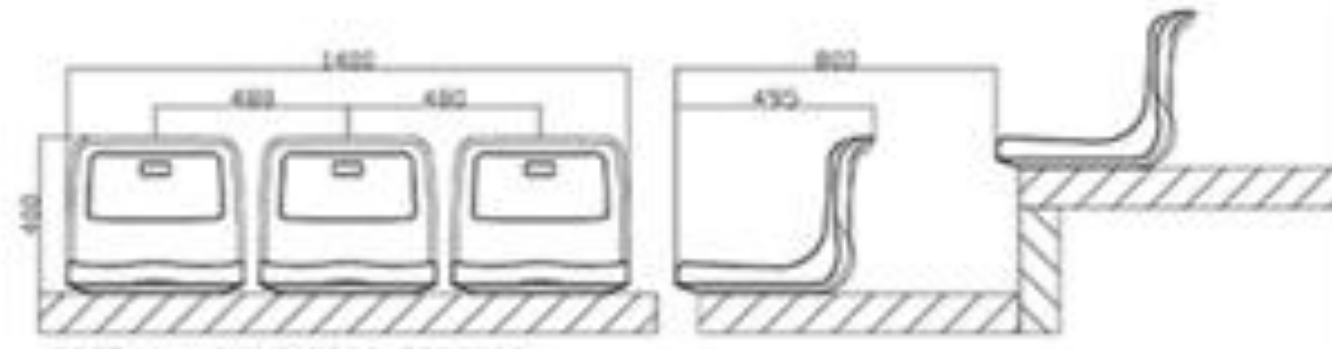


+86-18680577977



NUWEN[®]
NUWEN

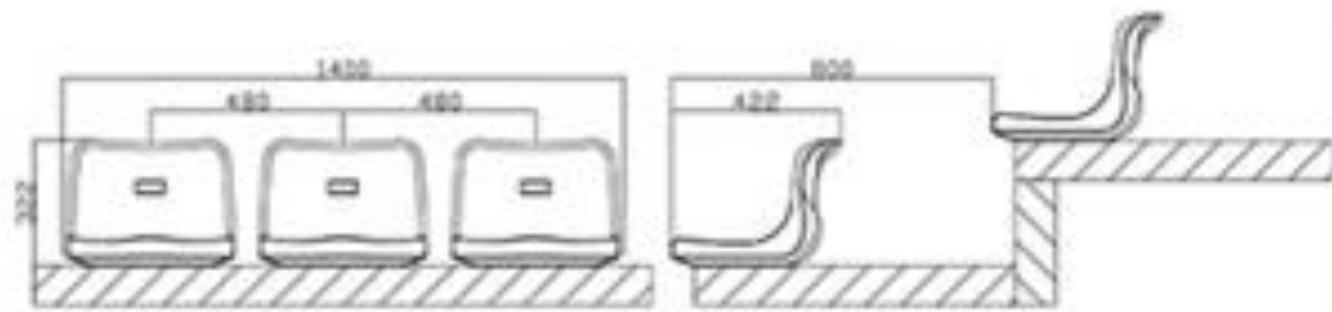
NW230-4007



产品尺寸仅供参考，最终以实物为准
Dimension of 3D model
The above dimension is for reference only, final is fixed product
By NUWEN Design Service Co.



NW220-3006



产品尺寸仅供参考，最终以实物为准
Dimension of 3D model
The above dimension is for reference only, final is fixed product
By NUWEN Design Service Co.



NW210-2005



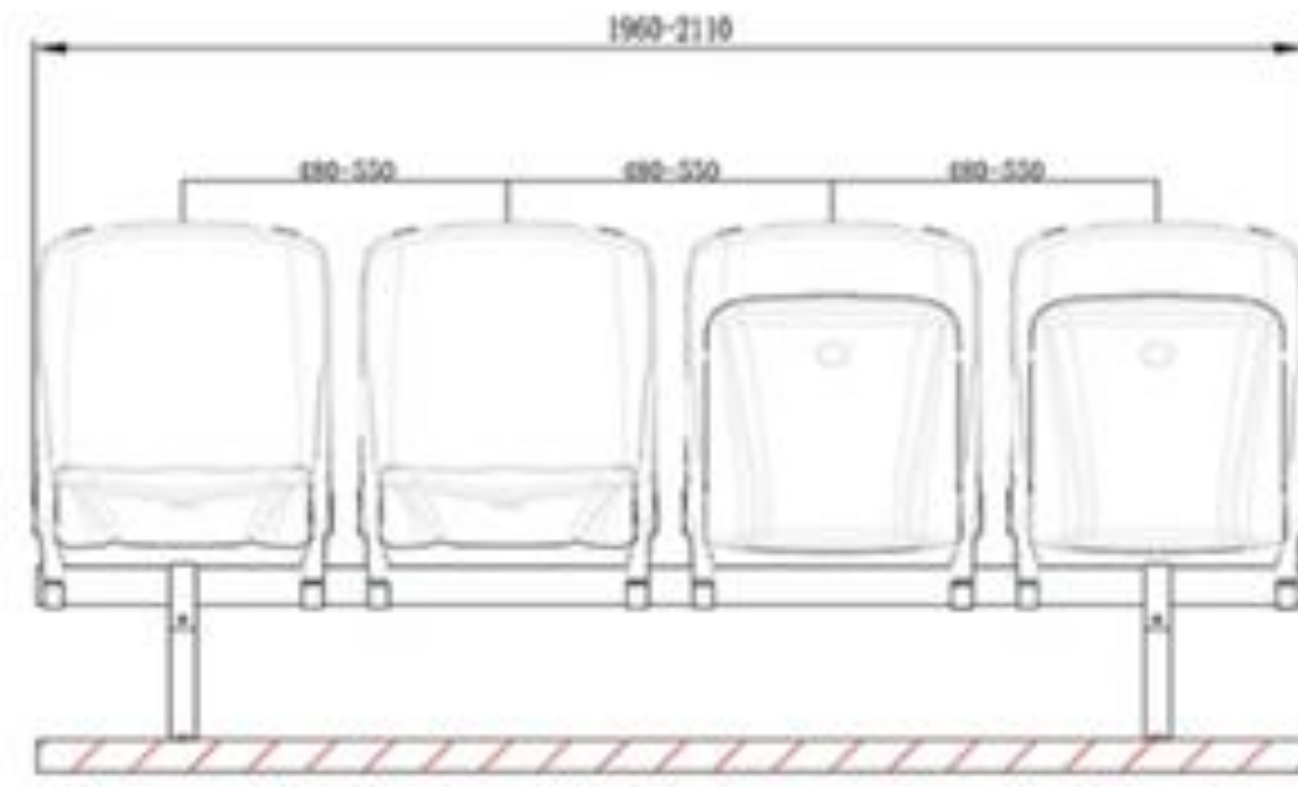
产品尺寸仅供参考，最终以实物为准
Dimension of 3D model
The above dimension is for reference only, final is fixed product
By NUWEN Design Service Co.



+86 1868 0577 977



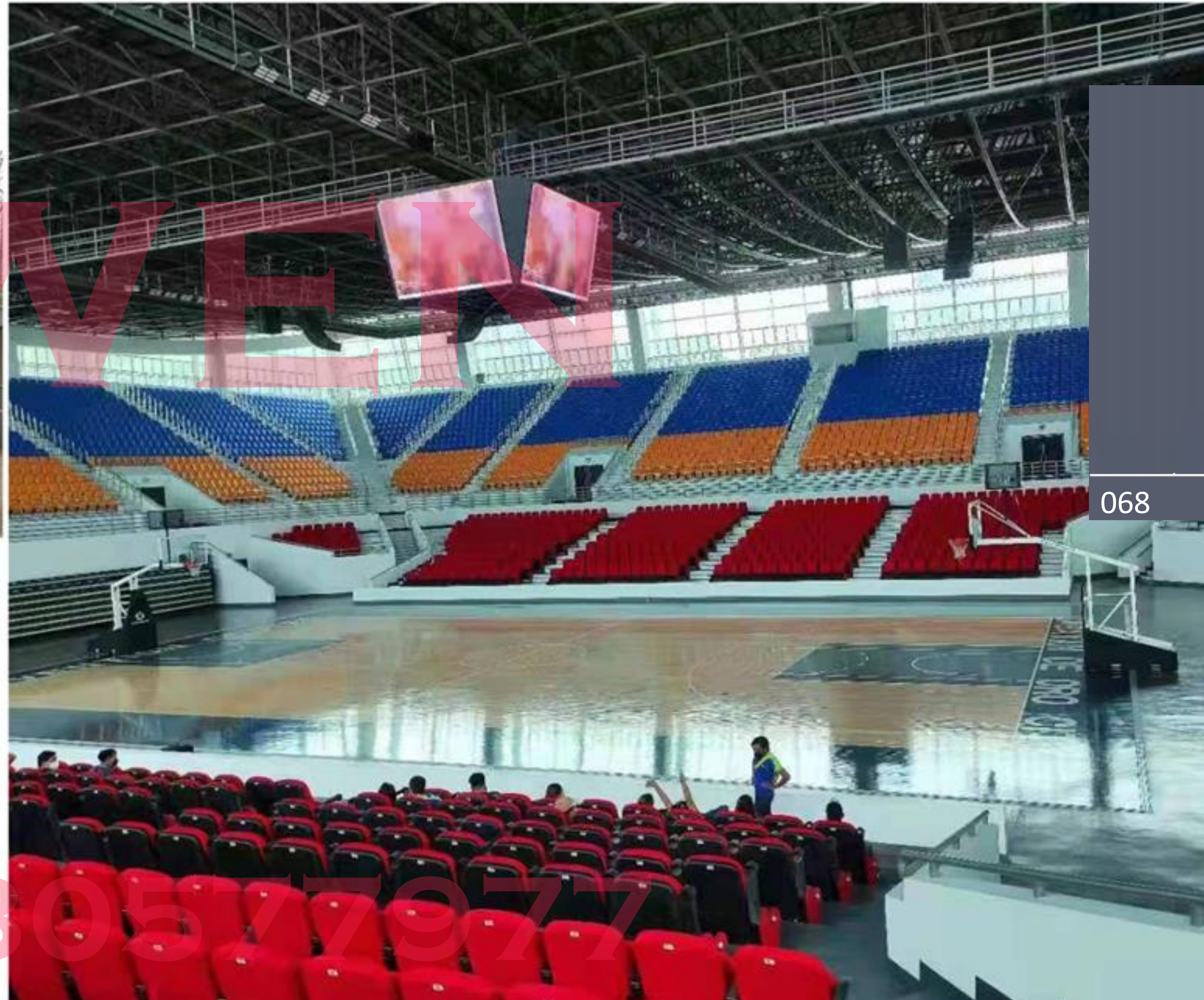
NW260-6003



产品型号: NW260-6003 (以上尺寸仅供参考, 最终以实物为准)
Dimension of NW260-6003
The above dimension is for reference only, final in kind prevail By SHC-YU Designs Seating Co.



NW260-6006



NW260-6001



+86-18680577977



+86-18680577977



ZY-V02



ZY-V07



ZY-V21



BG-402



BG-401



ZY-V22



ZY-V25



ZY-V32



BG-801



ZY-V35



ZY-01



ZY-03



BG-1001



+86-18680577977