





GL008-A

30W/50W
60W/80W

+86-18680577977



- Beam angle RL60°
- CRI 70
- Voltage 85V-265V
- CCT 2700K-6500K
- Chip size SMD3030
- Size 690x90x530mm

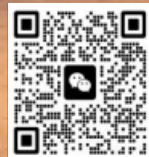
Model	Power	Chip qty
<H-GL008-30W-G-SMD-A	30W	112pcs
<H-GL008-50W-G-SMD-A	50W	112pcs
<H-GL008-60W-G-SMD-A	60W	112pcs
<H-GL008-80W-G-SMD-A	80W	112pcs

+86-18680577977



+86-18680577977

GL008-B
30W/50W
60W/80W





NUWEN

- Beam angle RL60°
- CRI 70
- Voltage 85V-265V
- CCT 2700K-6500K
- Chip size SMD3030
- Size 690x90x530mm



Model	Power	Chip qty
KH-GL008-30W-G-SMD-B	30W	112pcs
KH-GL008-50W-G-SMD-B	50W	112pcs
KH-GL008-60W-G-SMD-B	60W	112pcs
KH-GL008-80W-G-SMD-B	80W	112pcs

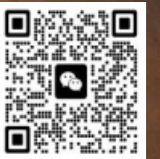
+86-18680577977



GL008-C

+86-18680577977

30W/50W
60W/80W



+86-18680577977



NUWEN



- Beam angle RL60°
- CRI 70
- Voltage 85V-265V
- CCT 2700K-6500K
- Chip size SMD3030
- Size 690x90x530mm

Model	Power	Chip qty
KH-GL008-30W-G-SMD-C	30W	112pcs
KH-GL008-50W-G-SMD-C	50W	112pcs
KH-GL008-60W-G-SMD-C	60W	112pcs
KH-GL008-80W-G-SMD-C	80W	112pcs

+86-18680577977



GL008-D

60W/100W
120W/160W



+86-18680577977



+86-18680577977



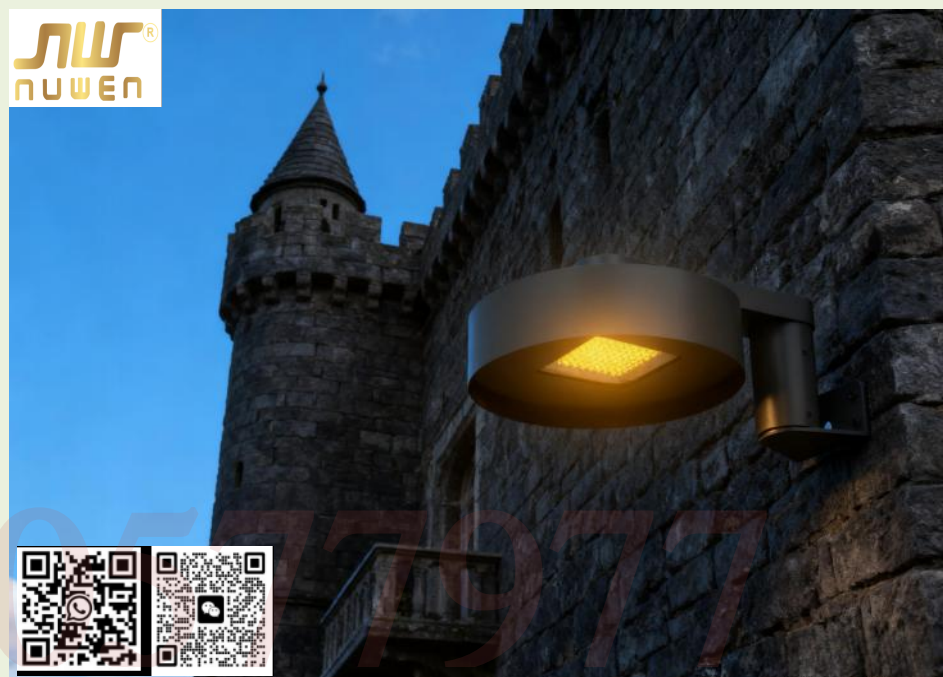
NUWEN



- Beam angle RL60°
- CRI 70
- Voltage 85V-265V
- CCT 2700K-6500K
- Chip size SMD3030
- Size 690x90x530mm

Model	Power	Chip qty
KH-GL008-60W-G-SMD-D	60W	224pcs
KH-GL008-100W-G-SMD-D	100W	224pcs
KH-GL008-120W-G-SMD-D	120W	224pcs
KH-GL008-160W-G-SMD-D	160W	224pcs

+86-18680577977

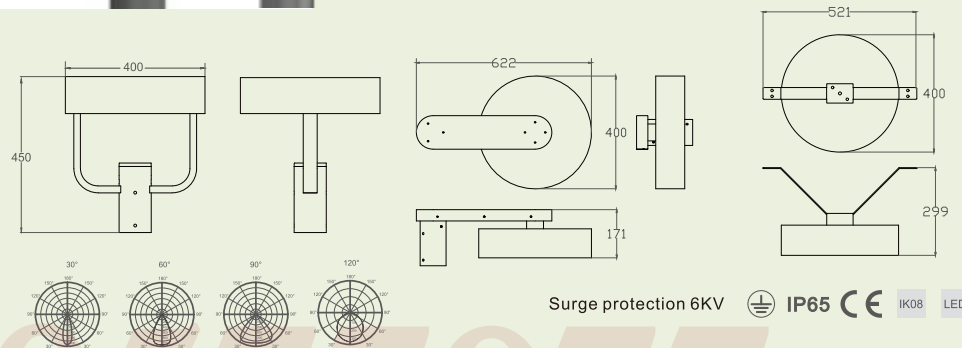




Power options
30W/50W/60W/80/100W

Beam angle
30°/45°/60°/90°/120°/150°/150X75

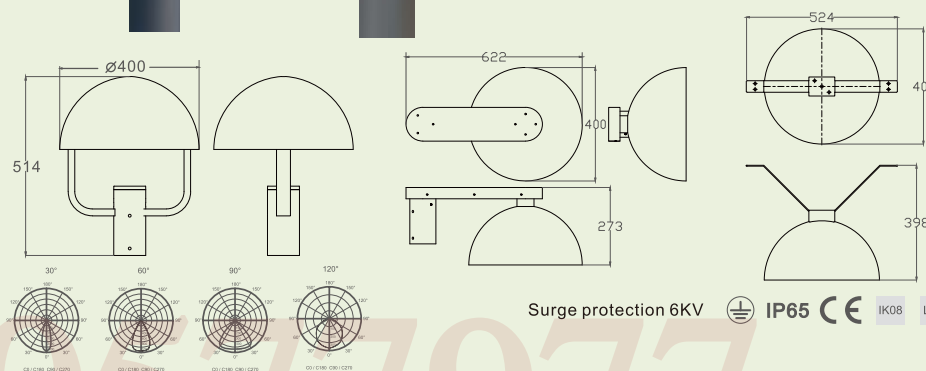
Colour options
 ■ Black
 ■ Graphite Gray



Surge protection 6KV IP65 IK08



30577977



Surge protection 6KV IP65 CE IK08 LED



Model	Power	Size	Chip qty	Chip size	Lumen	Voltage	Beam Angle	CCT	CRI
KH-GL011-50W-A	50W	400*400*450MM	56pcs	Philips3030	130lm/w	AC100-265V	30°60°90°120°	2700-6500K	>70
KH-GL011-50W-B	50W	622*400*171MM	56pcs	Philips3030	130lm/w	AC100-265V	30°60°90°120°	2700-6500K	>70
KH-GL011-50W-C	50W	524*400*398MM	56pcs	Philips3030	130lm/w	AC100-265V	30°60°90°120°	2700-6500K	>70



ЛШ[®]
NUWEN



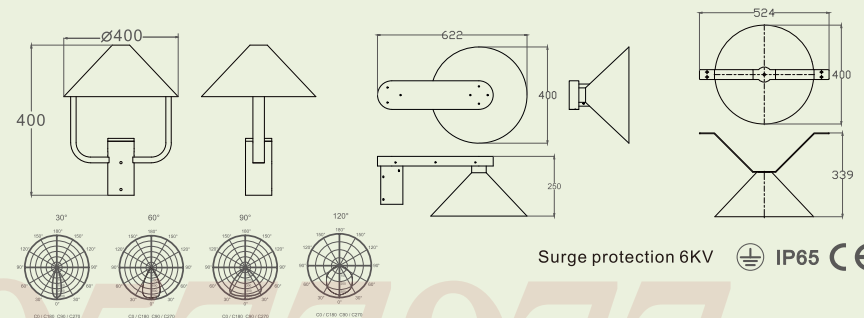
ЛШ[®]
NUWEN



ЛШ[®]
NUWEN



+86-18680577977



Surge protection 6KV    

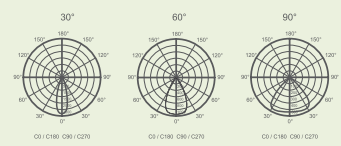
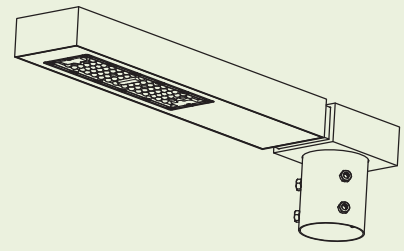
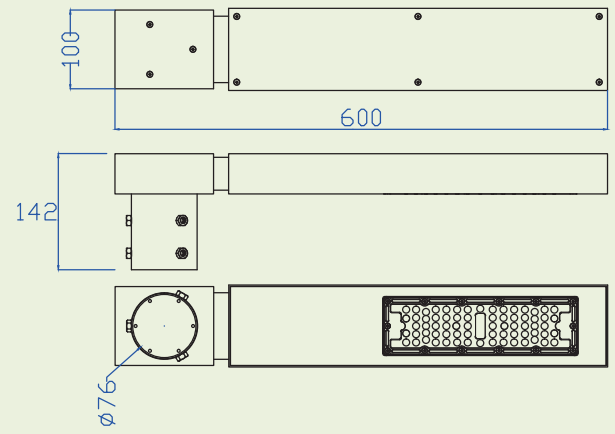


Model	Power	Size	Chip qty	Chip size	Lumen	Voltage	Beam Angle	CCT	CRI
KH-GL009-50W-A	50W	400*400*525MM	56pcs	Philips3030	130lm/w	AC100-265V	30°60°90°120°	2700-6500K	>70
KH-GL009-50W-B	50W	622*400*250MM	56pcs	Philips3030	130lm/w	AC100-265V	30°60°90°120°	2700-6500K	>70
KH-GL009-50W-C	50W	524*400*339MM	56pcs	Philips3030	130lm/w	AC100-265V	30°60°90°120°	2700-6500K	>70



GL016

20W · 30W
40W 50W

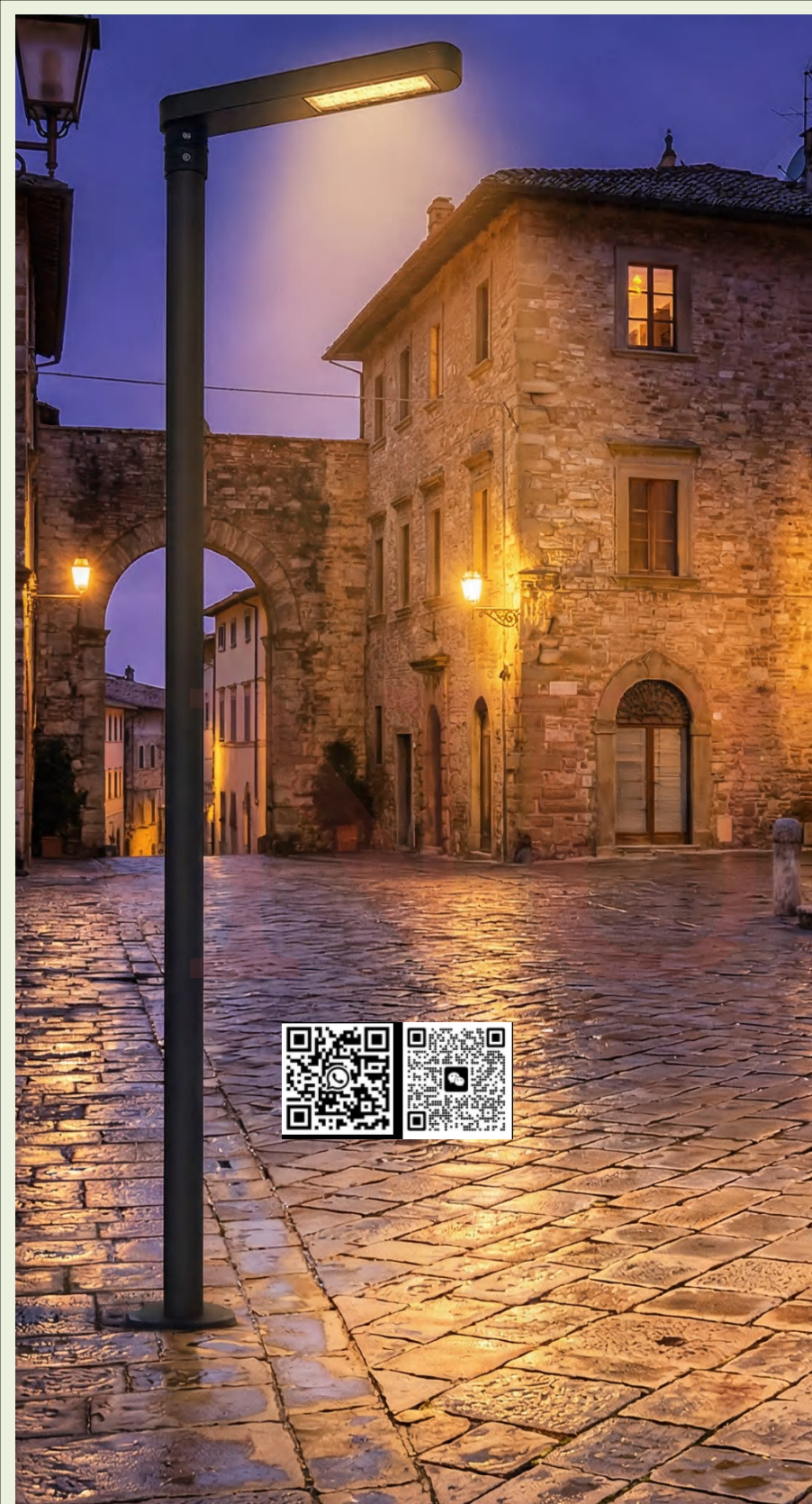


Surge protection 6KV IP65 CE IK08 LED

Model	Power	Size	Chip qty	Chpi size	Lumen	Voltage	Beam Angle	CCT	CRI
KH-GL016-20W-G-SMD	20W	600*100*142mm	64pcs	SMD3030	130LM/W	85-265V	30/45/60/90/120/140*70	2700-6500K	>70
KH-GL016-30W-G-SMD	30W	600*100*142mm	64pcs	SMD3030	130LM/W	85-265V	30/45/60/90/120/140*70	2700-6500K	>70
KH-GL016-40W-G-SMD	40W	600*100*142mm	64pcs	SMD3030	130LM/W	85-265V	30/45/60/90/120/140*70	2700-6500K	>70
KH-GL016-50W-G-SMD	50W	600*100*142mm	64pcs	SMD3030	130LM/W	85-265V	30/45/60/90/120/140*70	2700-6500K	>70

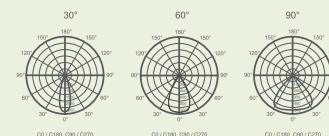
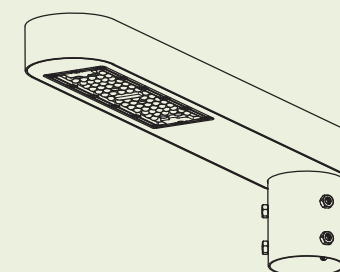
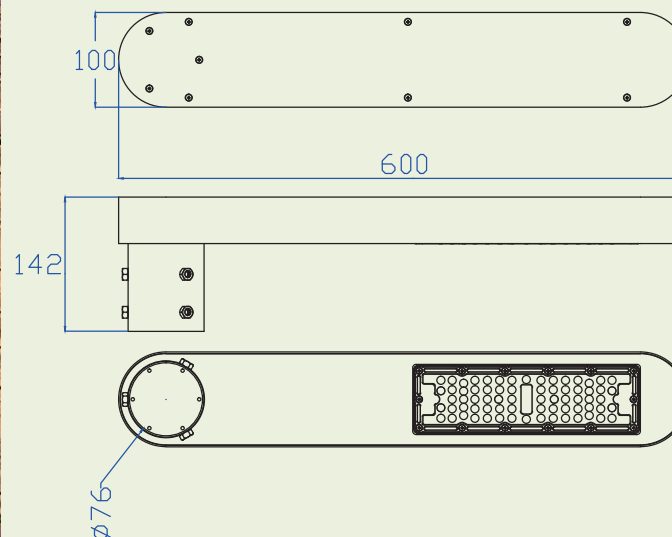


+86-18600377977



GL017

20W 30W
40W 50W



Surge protection 6KV IP65 CE IK08 LED

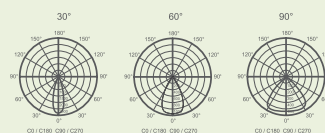
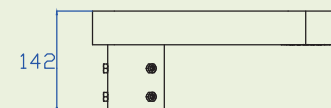
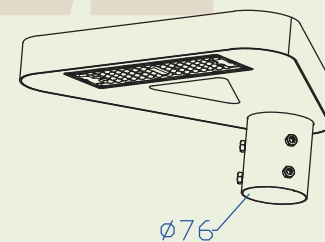
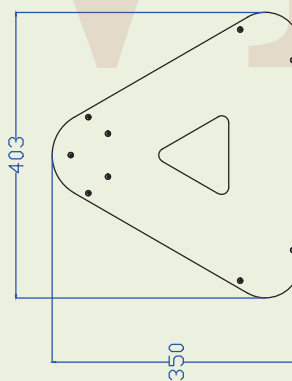
Model	Power	Size	Chip qty	Chpi size	Lumen	Voltage	Beam Angle	CCT	CRI
KH-GL017-20W-G-SMD	20W	600*100*142mm	64pcs	SMD3030	130LM/W	85-265V	30/45/60/90/120/140*70	2700-6500K	>70
KH-GL017-30W-G-SMD	30W	600*100*142mm	64pcs	SMD3030	130LM/W	85-265V	30/45/60/90/120/140*70	2700-6500K	>70
KH-GL017-40W-G-SMD	40W	600*100*142mm	64pcs	SMD3030	130LM/W	85-265V	30/45/60/90/120/140*70	2700-6500K	>70
KH-GL017-50W-G-SMD	50W	600*100*142mm	64pcs	SMD3030	130LM/W	85-265V	30/45/60/90/120/140*70	2700-6500K	>70

+86-18605777777

Power option
20W/30W/40W/50W

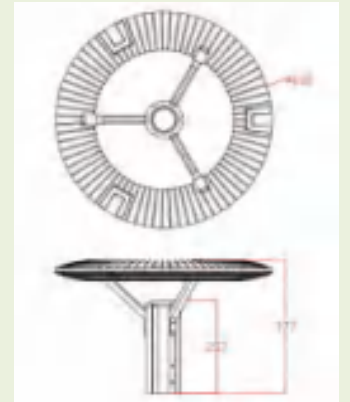
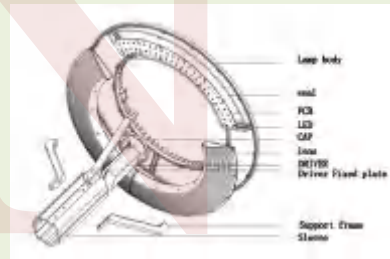
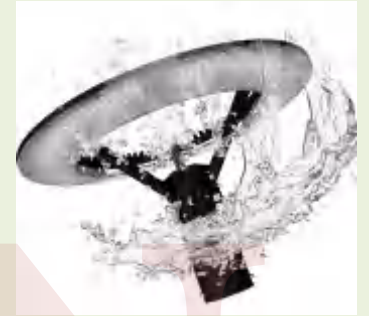
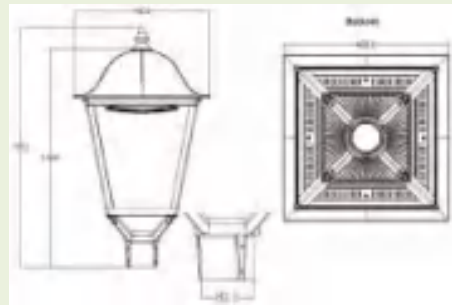
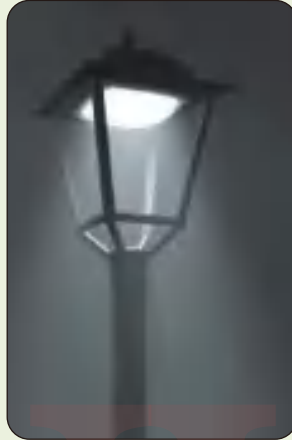



GL018



Surge protection 6KV IP65 CE IK08 LED

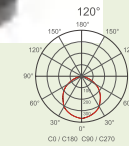
Model	Power	Size	Chip qty	Chipi size	Lumen	Voltage	Beam Angle	CCT	CRI
KH-GL018-20W-G-SMD	20W	600*100*142mm	64pcs	SMD3030	130LM/W	85-265V	30/45/60/90/120/140*70	2700-6500K	>70
KH-GL018-30W-G-SMD	30W	600*100*142mm	64pcs	SMD3030	130LM/W	85-265V	30/45/60/90/120/140*70	2700-6500K	>70
KH-GL018-40W-G-SMD	40W	600*100*142mm	64pcs	SMD3030	130LM/W	85-265V	30/45/60/90/120/140*70	2700-6500K	>70
KH-GL018-50W-G-SMD	50W	600*100*142mm	64pcs	SMD3030	130LM/W	85-265V	30/45/60/90/120/140*70	2700-6500K	>70



Surge protection 6KV



Model	Power	Size	Chip qty	Chip Size	Lumen	Voltage	Beam Angle	CCT	CRI
KH-GL004-80W-B-SMD	80W	400x400x600mm	140	SMD 3030	10400lm	AC100-265V	120°	2800-6500K	≥80



Surge protection 6KV



Model	Power	Size	Chip qty	Chip Size	Lumen	Voltage	Beam Angle	CCT	CRI
KH-GL003-100W-B-SMD	100W	Ø600x370mm	168	SMD 3030	13000lm	AC100-265V	120°	2800-6500K	≥80

+86-18680577977



IP65 CE IK08 LED

IP65 CE IK08 LED

Model	Power	Size	Chip qty	Chip size	Lumen	Voltage	Beam Angle	CCT	CRI
KH-GL006-100W-B-SMD-A	100W	420x547mm	192pcs	PHILIPS3030	15,000lm	AC85-265V	60°/90°/120°	2700-6500K	>70
KH-GL006-100W-B-SMD-B	100W	420x551mm	192pcs	PHILIPS3030	15,000lm	AC85-265V	60°/90°/120°	2700-6500K	>70
KH-GL006-100W-B-SMD-C	100W	420x578mm	192pcs	PHILIPS3030	15,000lm	AC85-265V	60°/90°/120°	2700-6500K	>70

Model	Power	Size	Chip qty	Chip size	Lumen	Voltage	Beam Angle	CCT	CRI
KH-GL007-60W-B-SMD	60W	Ø520x278mm	70pcs	SMD3030	7,800lm	AC85-265V	120°	2700-6500K	>80

+86-18680577977



IP 65



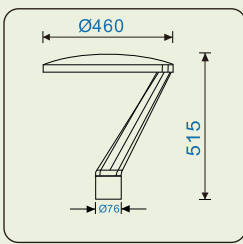
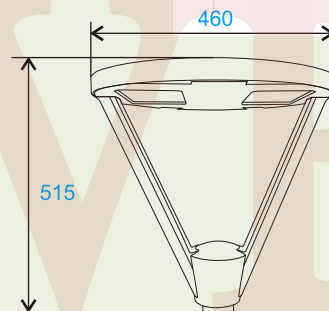
PHILIPS LUMILED



IP 65



PHILIPS LUMILED



Windproof



IP65 Waterproof



Lighting protection



Surge protection 6KV



Windproof



IP65 Waterproof



Lighting protection



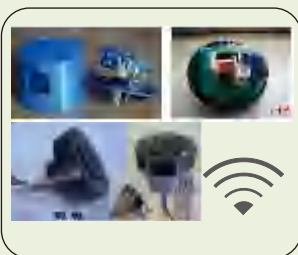
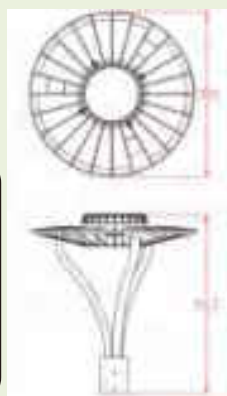
Surge protection 6KV



Model	Power	Size	Chip qty	Chip Size	Lumen	Voltage	Beam Angle	CCT	CRI
KH-GL005-60W-B-SMD-A	60W	515x460mm	72	SMD 3030	7800lm	AC100-265V	120°	2800-6500K	≥80

Model	Power	Size	Chip qty	Chip Size	Lumen	Voltage	Beam Angle	CCT	CRI
KH-GL005-60W-B-SMD-B	60W	515x460mm	72	SMD 3030	7800lm	AC100-265V	120°	2800-6500K	≥80

+86-18680577977



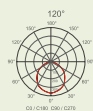
Windproof



IP65 Waterproof



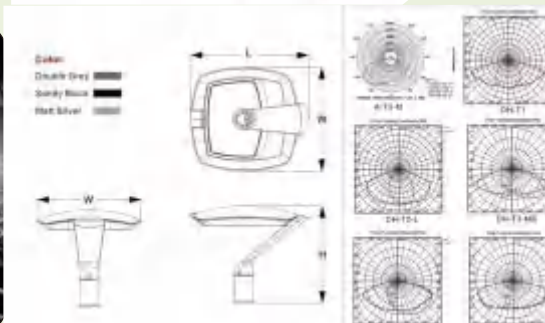
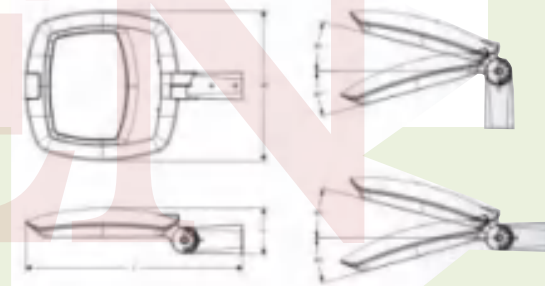
Lighting protection



Surge protection 6KV

IP65 CE IK08 LED

Model	Power	Size	Chip qty	Chip Size	Lumen	Voltage	Beam Angle	CCT	CRI
KH-GL001-50W-B-SMD	50W	Ø380x563mm	60	SMD 3030	5000lm	AC100-265V	120°	2800-6500K	≥80
KH-GL001-100W-B-SMD	100W	Ø380x563mm	120	SMD 3030	10000lm	AC100-265V	120°	2800-6500K	≥80
KH-GL001-150W-B-SMD	150W	Ø380x563mm	150	SMD 3030	15000lm	AC100-265V	120°	2800-6500K	≥80



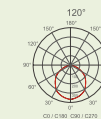
Windproof



IP65 Waterproof



Lighting protection



Surge protection 6KV

IP65 CE IK08 LED

Model	Power	Size	Chip qty	Chip Size	Lumen	Voltage	Beam Angle	CCT	CRI
KH-GL002-80W-B-SMD	80W	474x416x390mm	96	SMD 3030	10400lm	AC100-265V	120°	2800-6500K	≥80
KH-GL002-150W-B-SMD	150W	580x522x390mm	208	SMD 3030	19500lm	AC100-265V	120°	2800-6500K	≥80





NUWEN



- KH-GL012-A series
- Power 30W 40W 50W
- Size 400*H45 mm
- Lumen 130lm/W
- Beam Angle 120°
- Voltage AC85-265V
- CRI ≥ 70





- KH-GL012-B series
- Power 30W 40W 50W
- Size 400*H45 mm
- Lumen 130lm/W
- Beam Angle 120°
- Voltage AC85-265V
- CRI ≥ 70



IP65



IK08

7977



- KH-GL012-C series
- Power 60W 80W 100W
- Size 800*H45 mm
- Lumen 130lm/W
- Beam Angle 120°
- Voltage AC85-265V
- CRI ≥ 70



IP65



IK08



77977



- KH-GL013-B series
- Power 30W 40W 50W
- Size 450*450*400mm
- Lumen 130lm/W
- Beam Angle 120°
- Voltage AC85-265V
- CRI ≥70



IP65



IK08



- KH-GL014-B series
- Power 30W 40W 50W
- Size 500*H200mm
- Lumen 130lm/W
- Beam Angle 120°
- Voltage AC85-265V
- CRI ≥ 70



IP65



IK08



NUWEN

- KH-GL015-B series
- Power 30W 40W 50W
- Size 500*H130mm
- Lumen 130lm/W
- Beam Angle 120°
- Voltage AC85-265V
- CRI ≥70



186800

7977



IP65



IK08

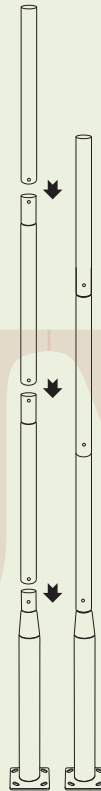




STREET POLE

Slip-joint version

KH-POL-DX-Jointed series

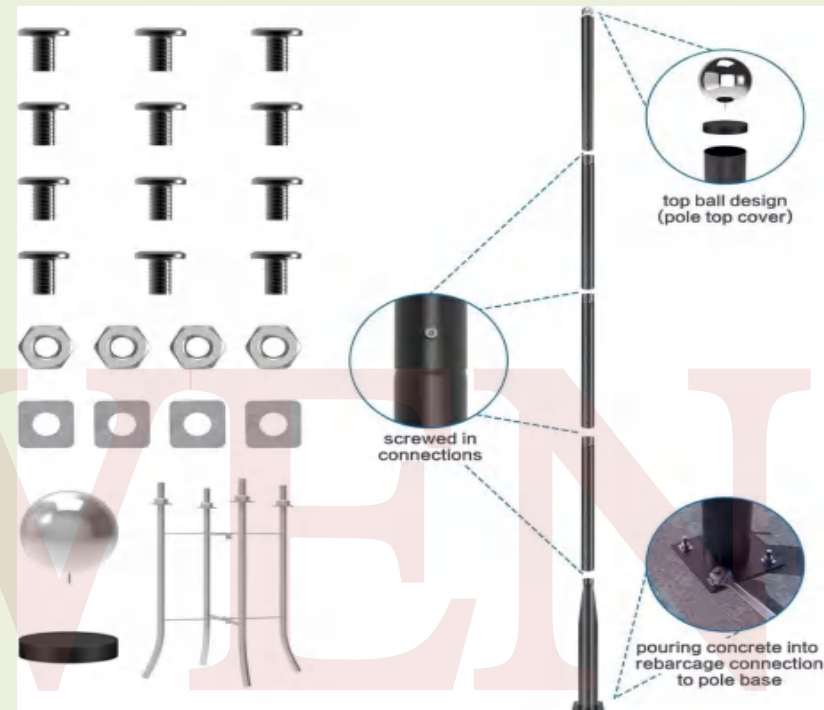


PRODUCT PARAMETERS

Specification	Height	Package size
Top diameter	Φ 76	113x24x23cm
Bottom pole	Φ 114	
Base Flange	250*250	
Material	galvanized pipe	
Anchor Bolt	160*160*14*300H	



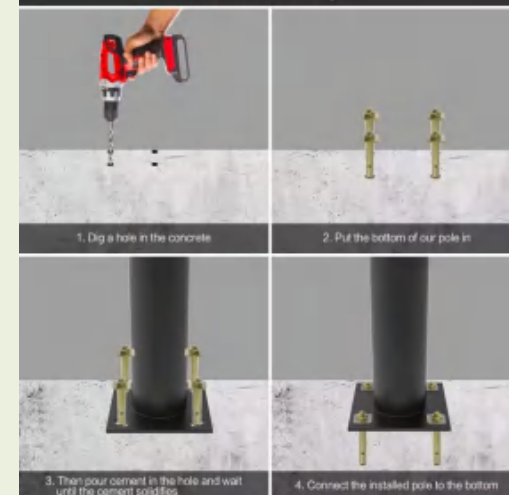
STREET POLE



INSTALLATION STEPS



Installation Steps



+86-18680577977



STREET POLE

Single piece version



KH-POL-DX-Single series



PRODUCT PARAMETERS

Specification		Height	Package size
Top diameter	Φ 76mm	2.5m	
Bottom pole	Φ 114mm	3m	
Base Flange	250*250 mm	4m	
Material	galvanized pipe	5m	
Anchor Bolt	160*160*14*300H		



STREET POLE

Single piece straight version



KH-POL-ST-Single series



PRODUCT PARAMETERS

Specification		Height	Package size
diameter	Φ 76	2.5m/3m/4m/5m	
Base Flange	250*250 mm		
Material	galvanized pipe		
Anchor Bolt	160*160*14*300H		

+86-18680577977